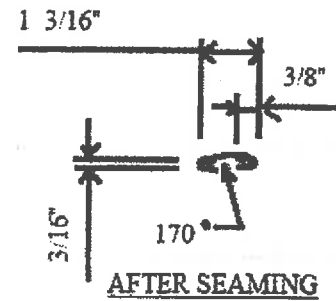
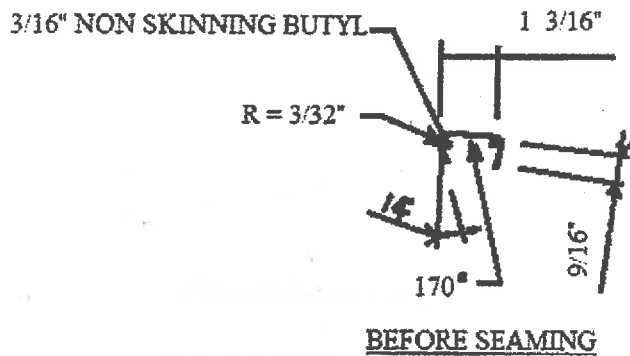
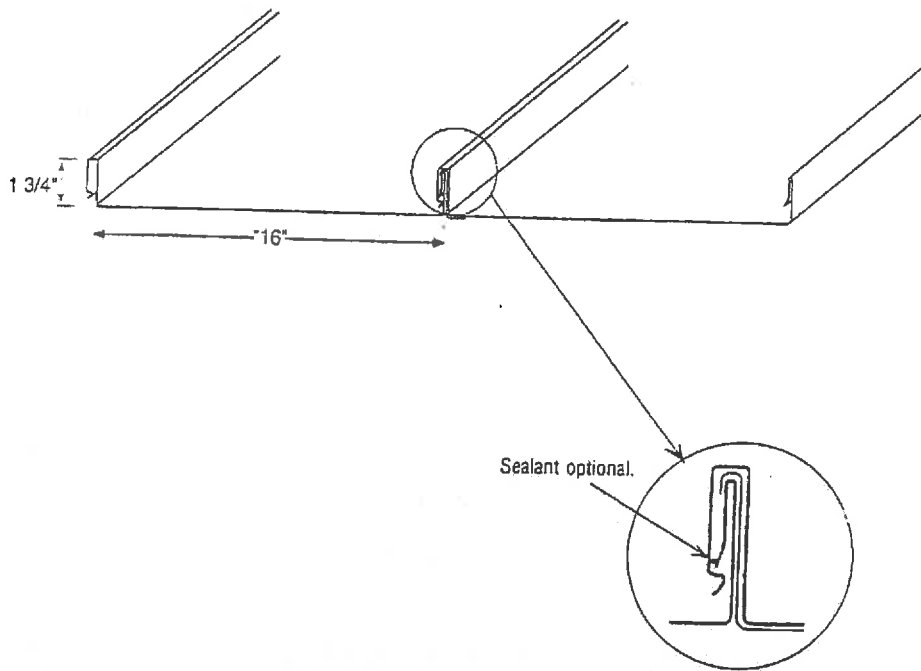
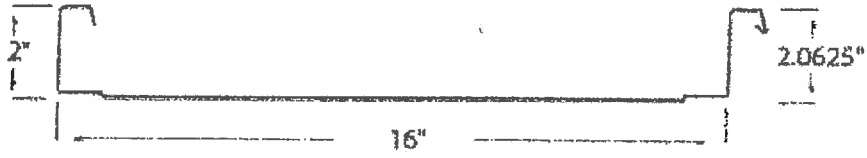


## 238T PANEL PROFILE

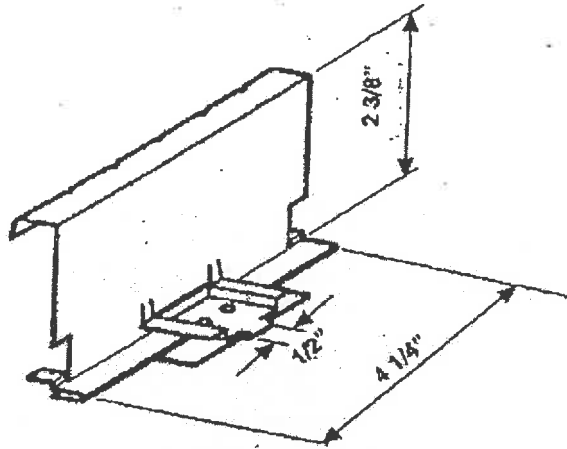


# MEDALLION-LOK

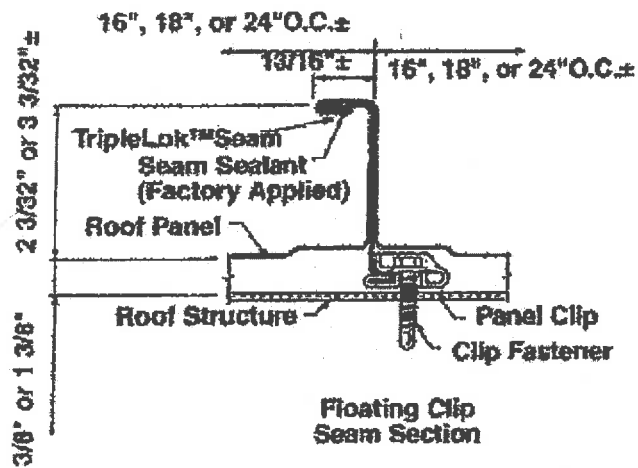




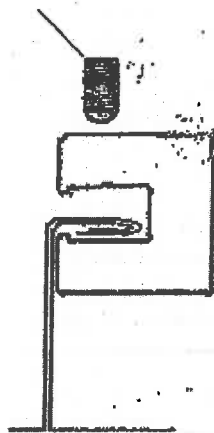
MAXIMA 216 PANEL



MAXIMA 216 LOW FLOAT CLIP  
22 GA STEM, 16 GA BASE

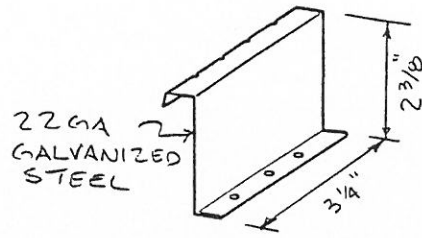


(2) SET SCREWS PER CLAMP

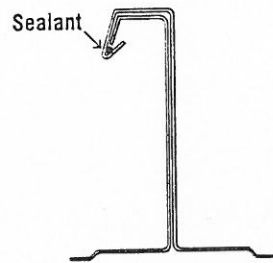


**S-5 WIND CLAMP**  
(1 AT EACH CLIP LOCATION)

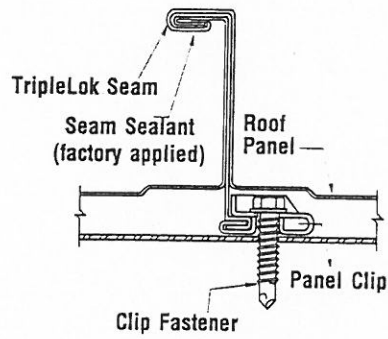
Project No. T223-01



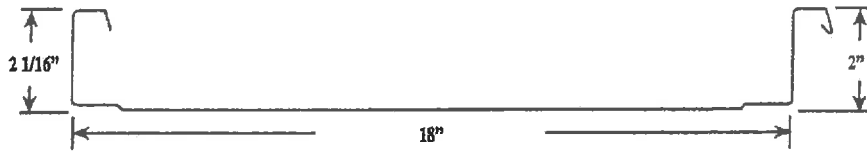
FIXED CLIP



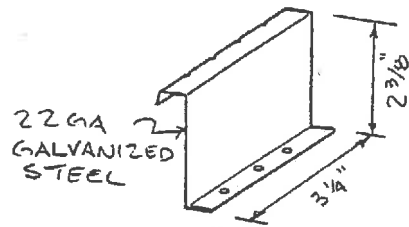
BEFORE SEAMING



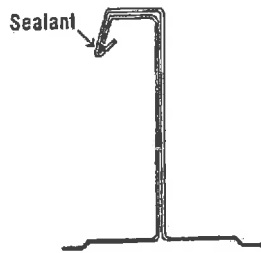
AFTER SEAMING



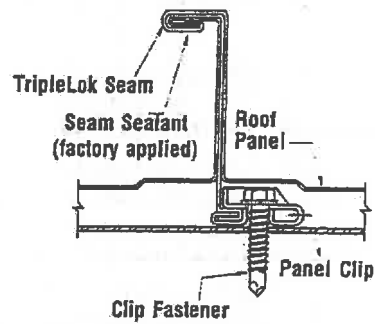
MAXIMA 218 PANEL



FIXED CLIP



BEFORE SEAMING



AFTER SEAMING