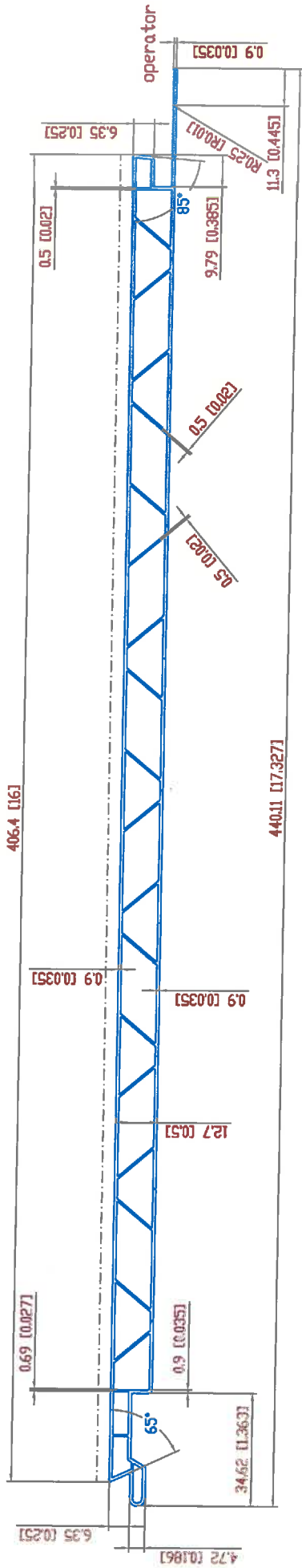




top



----- visible surface

all outer walls: 0.9mm
all inner walls: 0.5mm

SCALE: 1:1.25

DATE	NAME	TOTAL-AREA:
05.12.2011	BC	942mm
		TOTAL-WEIGHT: 1357g/m
		max. WEIGHT: xxxg/m



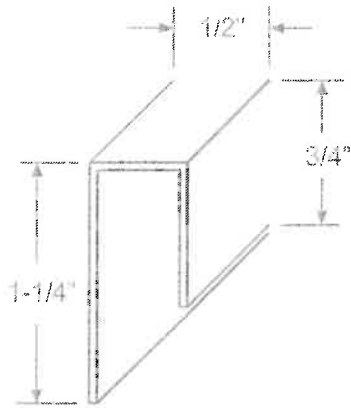
4002643

MSW Canadian Plastics

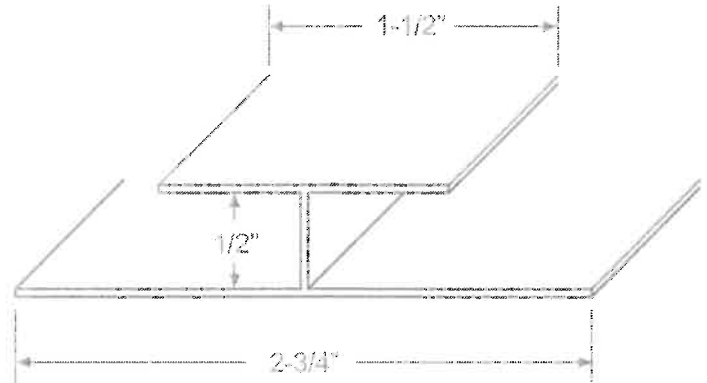
G4 16" TRUSS CORE

ISS.	MODIFICATION	DATE	NAME

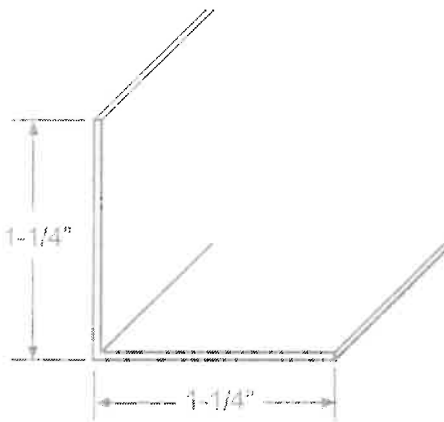
PANEL



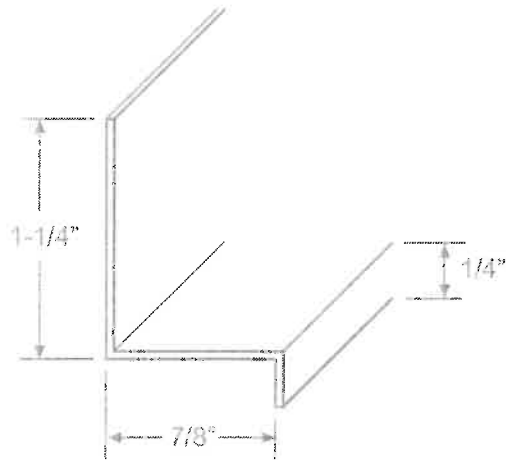
"J" Trim



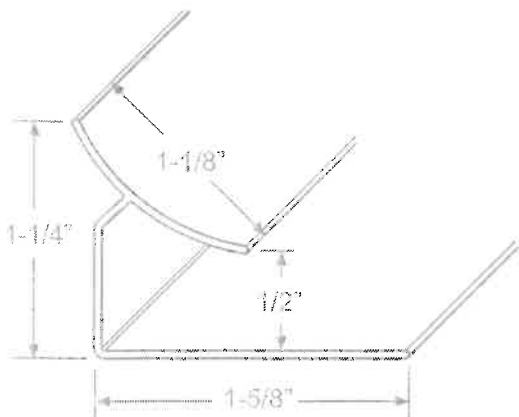
"H" Divider



Outside Corner



Base Trim



Inside Cove

Note: All trims are 10' lengths.