

ICC-ES Evaluation Report

ESR-2818

Reissued December 2015

Revised February 2016

This report is subject to renewal December 2016.

www.icc-es.org | (800) 423-6587 | (562) 699-0543

A Subsidiary of the International Code Council®

DIVISION: 03 00 00—CONCRETE
Section: 03 16 00—Concrete Anchors

DIVISION: 05 00 00—METALS
Section: 05 05 19—Post-Installed Concrete Anchors

REPORT HOLDER:

POWERS FASTENERS, INC.
 701 EAST JOPPA ROAD
 TOWSON, MARYLAND 21286
 (800) 524-3244
www.powers.com
engineering@powers.com

ADDITIONAL LISTEES:

COOPER B-LINE, INC.
 509 WEST MONROE STREET
 HIGHLAND, ILLINOIS 62249
blineus@cooperindustries.com

DEWALT (STANLEY BLACK & DECKER)
 701 EAST JOPPA ROAD
 TOWSON, MARYLAND 21286
 (800) 433-9258
www.dewalt.com

L. H. DOTTIE COMPANY
 6131 SOUTH GARFIELD AVENUE
 COMMERCE, CALIFORNIA 90040
lane@lhdottie.com

THE HILLMAN GROUP
 10590 HAMILTON AVENUE
 CINCINNATI, OHIO 45231
info@hillmangroup.com

EVALUATION SUBJECT:

**POWERS POWER-STUD+ SD1 EXPANSION ANCHORS
 FOR CRACKED AND UNCRACKED CONCRETE**

1.0 EVALUATION SCOPE
Compliance with the following codes:

- * ■ ~~2015~~, 2012, 2009 and 2006 *International Building Code*® (IBC)
- * ■ ~~2015~~, 2012, 2009 and 2006 *International Residential Code*® (IRC)

- ~~2013 Abu Dhabi International Building Code (ADIBC)~~[†] *

[†]The ADIBC is based on the 2009 IBC. 2009 IBC code sections referenced in this report are the same sections in the ADIBC.

Properties evaluated:

Structural

2.0 USES

The Powers Power-Stud+ SD1 expansion anchors are used to resist static, wind and seismic tension and shear loads in cracked and uncracked normal-weight concrete and lightweight concrete having a specified compressive strength, f'_c , of 2,500 psi to 8,500 psi (17.2 MPa to 58.6 MPa) [~~minimum of 24 MPa is required under ADIBC Appendix L, Section 5.1.1.~~]

The $\frac{3}{8}$ -inch- and $\frac{1}{2}$ -inch-diameter (9.5 mm and 12.7 mm) anchors may be installed in the topside of cracked and uncracked normal-weight or sand-lightweight concrete-filled steel deck having a specified compressive strength, f'_c , of 2,500 psi to 8,500 psi (17.2 MPa to 58.6 MPa) [~~minimum of 24 MPa is required under ADIBC Appendix L, Section 5.1.1.~~]

The $\frac{3}{8}$ -inch- to $\frac{3}{4}$ -inch-diameter (9.5 mm to 19.1 mm) anchors may be installed in the soffit of cracked and uncracked [$\frac{1}{4}$ -inch (6.4 mm) uncracked only] normal-weight or sand-lightweight concrete-filled steel deck having a minimum specified compressive strength, f'_c , of 3,000 psi (20.7 MPa) [~~minimum of 24 MPa is required under ADIBC Appendix L, Section 5.1.1.~~]

The anchors comply with Section 1901.3 of the ~~2015 IBC~~, Section 1909 of the 2012 IBC and Section 1912 of the 2009 and 2006 IBC. The anchors are alternatives to cast-in-place anchors described in Section 1908 of the 2012 IBC and Section 1911 of the 2009 and 2006 IBC. The anchors may also be used where an engineered design is submitted in accordance with Section R301.1.3 of the IRC.

Installation instructions and information are set forth in Section 4.3, Table 1 and Figures 1 3, 4, 5A and ~~5B.~~ *

3.0 DESCRIPTION
3.1 Power-Stud+ SD1:

Power-Stud+ SD1 expansion anchors are torque-controlled, mechanical expansion anchors comprised of an anchor body, expansion wedge (clip), washer and hex nut. Product names corresponding to report holder and additional listees are presented in Table A of this report.

* Available diameters are $\frac{1}{4}$ inch, $\frac{3}{8}$ inch, $\frac{1}{2}$ inch, $\frac{5}{8}$ inch, $\frac{3}{4}$ inch, $\frac{7}{8}$ inch, 1 inch, and $1\frac{1}{4}$ inch (6.4 mm, 9.5 mm, 12.7 mm, 15.9 mm, 19.1 mm, 22.0 mm, 25.4 mm and 31.8 mm). The anchor body and expansion clip are manufactured from medium carbon steel complying with requirements set forth in the approved quality documentation, and have minimum 0.0002-inch-thick (5 μ m) zinc plating in accordance with ASTM B633, SC1, Type III. The washers comply with ASTM F844. The hex nuts comply with ASTM A563, Grade A. The Power-Stud+SD1 expansion anchor is illustrated in Figure 2.

The anchor body is comprised of a high-strength threaded rod at one end and a tapered mandrel at the other end. The tapered mandrel is enclosed by a three-section expansion clip that freely moves around the mandrel. The expansion clip movement is restrained by the mandrel taper and by a collar. The anchors are installed in a predrilled hole with a hammer. When torque is applied to the nut of the installed anchor on the threaded end of the anchor body, the mandrel at the opposite end of the anchor is drawn into the expansion clip, forcing it outward into the sides of the predrilled hole in the base material.

3.2 Concrete:

Normal-weight and lightweight concrete must comply with Sections 1903 and 1905 of the IBC as applicable.

3.3 Steel Deck Panels:

* Steel deck panels must comply with the configuration in ~~Figure 4, Figure 5A and Figure 5B~~ and have a minimum base steel thickness of 0.035 inch (0.889 mm) [No. 20 gage]. Steel must comply with ASTM A653/A653M SS Grade 33, and have a minimum yield strength of 33 ksi (228 MPa).

4.0 DESIGN AND INSTALLATION

4.1 Strength Design:

* **4.1.1 General:** ~~Design strength of anchors complying with the 2015 IBC, as well as Section R301.3 of the 2015 IRC must be determined in accordance with ACI 318-14 Chapter 17 and this report.~~

Design strength of anchors complying with the 2012 IBC, as well as Section R301.1.3 of the 2012 IRC, must be determined in accordance with ACI 318-11 Appendix D and this report.

Design strength of anchors complying with the 2009 IBC, as well as Section R301.1.3 of the 2009 IRC, must be determined in accordance with ACI 318-08 Appendix D and this report.

Design strength of anchors complying with the 2006 IBC and Section R301.1.3 of the 2006 IRC must be determined in accordance with ACI 318-05 Appendix D and this report.

* Design examples according to ~~the 2015 IBC and 2012 IBC~~ are given in Figures 7, 8 and 9 of this report.

* Design parameters provided in Tables 1, 2, and 3 and references to ACI 318 are based on the ~~2015 IBC (ACI 318-14) and on the 2012 IBC (ACI 318-11)~~ unless noted otherwise in Sections 4.1.1 through 4.1.12 of this report. The strength design of anchors must comply with ~~ACI 318-14 17.3.1 or ACI 318-11 D.4.1, as applicable, except as required in ACI 318-14 17.2.3 or ACI 318-11 D.3.3, as applicable. Strength reduction factors, ϕ , as given in ACI 318-14 17.3.3 or ACI 318-11 D.4.3, as applicable, and noted in Tables 2 and 3 of this report, must be used for load combinations calculated in accordance with Section 1605.2 of the IBC and ACI 318-14 Section 5.3 or ACI 318-11, Section 9.2, as applicable. Strength reduction~~

factors, ϕ , described in ACI 318-11 D.4.4, must be used for load combinations calculated in accordance with ACI 318-11 Appendix C. Strength reduction factors, ϕ , corresponding to ductile steel elements are appropriate.

4.1.2 Requirements for Static Steel Strength in Tension, N_{sa} : The nominal static steel strength of a single anchor in tension, N_{sa} , calculated in accordance with ~~ACI 318-14 17.4.1.2 or~~ ACI 318-11 D.5.1.2, as applicable, is given in Table 2 of this report. Strength reduction factors, ϕ , corresponding to ductile steel elements may be used.

4.1.3 Requirements for Static Concrete Breakout Strength in Tension, N_{cb} or N_{cbg} : The nominal concrete breakout strength of a single anchor or a group of anchors in tension, N_{cb} and N_{cbg} , respectively must be calculated in accordance with ~~ACI 318-14 17.4.2 or~~ ACI 318-11 D.5.2, as applicable, with modifications as described in this section. The basic concrete breakout strength in tension, N_b , must be calculated in accordance with ~~ACI 318-14 17.4.2.2 or~~ ACI 318-11 D.5.2.2, as applicable, using the values of h_{ef} and k_{cr} as given in Table 2 of this report. The nominal concrete breakout strength in tension in regions where analysis indicates no cracking in accordance with ~~ACI 318-14 17.4.2.6 or~~ ACI 318-11 D.5.2.6, as applicable, must be calculated with the value of k_{uncr} as given in Table 2 and with $\psi_{c,N} = 1.0$.

For anchors installed in the soffit of sand-lightweight or normal-weight concrete-filled steel deck floor and roof assemblies, as shown in Figure 5A ~~and Figure 5B~~, calculation of the concrete breakout strength in accordance with ~~ACI 318-14 17.4.2 or~~ ACI 318-11 D.5.2, as applicable, is not required.

4.1.4 Requirements for Static Pullout Strength in Tension, N_{pn} : The nominal pullout strength of a single anchor in accordance with ~~ACI 318-14 17.4.3 or~~ ACI 318-11 D.5.3, as applicable, in cracked and uncracked concrete, $N_{p,cr}$ and $N_{p,uncr}$, respectively, is given in Table 2. In lieu of ~~ACI 318-14 17.4.3.6 or~~ ACI 318-11 D.5.3.6, as applicable, $\psi_{c,P} = 1.0$ for all design cases. The nominal pullout strength in cracked concrete may be adjusted by calculations according to Eq-1:

$$N_{pn,f'_c} = N_{p,cr} \left(\frac{f'_c}{2,500} \right)^{0.5} \quad (\text{lb, psi}) \quad (\text{Eq-1})$$

$$N_{pn,f'_c} = N_{p,cr} \left(\frac{f'_c}{17.2} \right)^{0.5} \quad (\text{N,MPa})$$

where f'_c is the specified concrete compressive strength.

In regions where analysis indicates no cracking in accordance with ~~ACI 318-14 17.4.3.6 or~~ ACI 318-11 D.5.3.6, as applicable, the nominal pullout strength in tension can be adjusted by calculations according to Eq-2:

$$N_{pn,f'_c} = N_{p,uncr} \left(\frac{f'_c}{2,500} \right)^{0.5} \quad (\text{lb, psi}) \quad (\text{Eq-2})$$

$$N_{pn,f'_c} = N_{p,uncr} \left(\frac{f'_c}{17.2} \right)^{0.5} \quad (\text{N,MPa})$$

where f'_c is the specified concrete compressive strength.

Where values for $N_{p,cr}$ or $N_{p,uncr}$ are not provided in Table 2 of this report, the pullout strength in tension need not be evaluated.

The nominal pullout strength in tension for anchors installed in the soffit of sand-lightweight or normal weight concrete-filled steel deck floor and roof assemblies, as shown in Figure 5A ~~and Figure 5B~~, is provided in Table 2. In accordance with ~~ACI 318-14 17.4.3.2 or~~ ACI 318-11

D.5.3.2, as applicable, the nominal pullout strength in cracked concrete must be calculated according to Eq-1, whereby the value of $N_{p,deck,cr}$ must be substituted for $N_{p,cr}$ and the value of 3,000 psi (20.7 MPa) must be substituted for the value of 2,500 psi (17.2 MPa) in the denominator. In regions where analysis indicates no cracking in accordance with ~~ACI 318-14 17.4.3.6 or ACI 318-11 D.5.3.6~~, as applicable, the nominal strength in uncracked concrete must be calculated according to Eq-2, whereby the value of $N_{p,deck,uncr}$ must be substituted for $N_{p,uncr}$ and the value of 3,000 psi (20.7 MPa) must be substituted for the value of 2,500 psi (17.2 MPa) in the denominator.

4.1.5 Requirements for Static Steel Strength in Shear, V_{sa} : The nominal steel strength in shear, V_{sa} , of a single anchor in accordance with ~~ACI 318-14 17.5.1.2 or ACI 318-11 D.6.1.2~~, as applicable, is given in Table 3 of this report and must be used in lieu of the values derived by calculation from ~~ACI 318-14 Eq. 17.5.1.2b or ACI 318-11 Eq. D-29~~. The strength reduction factor, ϕ , corresponding to a ductile steel element must be used for all anchors, as described in Table 3 of this report.

The shear strength $V_{sa,deck}$ of anchors installed in the soffit of sand-lightweight or normal-weight concrete on steel deck floor and roof assemblies, as shown in Figure 5A and Figure 5B, is given in Table 3 of this report in lieu of the values derived by calculation from ~~ACI 318-14 17.5.1.2b or ACI 318-11 Eq. D-29~~, as applicable.

4.1.6 Requirements for Static Concrete Breakout Strength in Shear, V_{cb} or V_{cbg} : The nominal concrete breakout strength of a single anchor or group of anchors in shear, V_{cb} or V_{cbg} , respectively, must be calculated in accordance with ~~ACI 318-14 17.5.2 or ACI 318-11 D.6.2~~, as applicable, with modifications as described in this section. The basic concrete breakout strength in shear, V_b , must be calculated in accordance with ~~ACI 318-14 17.5.2.2 or ACI 318-11 D.6.2.2~~, as applicable, using the values of l_e and d_a (d_o) given in Table 3 of this report.

For anchors installed in the topside of concrete-filled steel deck assemblies, the nominal concrete breakout strength of a single anchor or group of anchors in shear, V_{cb} or V_{cbg} , respectively, must be calculated in accordance with ~~ACI 318-14 17.5.2.1 or ACI 318-11 D.6.2.1~~, as applicable, using the actual member topping thickness, $h_{min,deck}$, in the determination of A_{vc} . Minimum member topping thickness for anchors in the topside of concrete-filled steel deck assemblies is given in Table 1 of this report.

For anchors installed in the soffit of sand-lightweight or normal-weight concrete-filled steel deck floor and roof assemblies, as shown in Figure 5A and Figure 5B, calculation of the concrete breakout strength in accordance with ~~ACI 318-14 17.5.2 or ACI 318-11 D.6.2~~, as applicable, is not required.

4.1.7 Requirements for Static Concrete Pryout Strength in Shear, V_{cp} or V_{cpg} : The nominal concrete pryout strength of a single anchor or group of anchors in shear, V_{cp} or V_{cpg} , respectively, must be calculated in accordance with ~~ACI 318-14 17.5.3 or ACI 318-11 D.6.3~~, as applicable, modified by using the value of k_{cp} provided in Table 3 and the value of N_{cb} or N_{cbg} as calculated in Section 4.1.3 of this report.

For anchors installed in the soffit of sand-lightweight or normal-weight concrete-filled steel deck floor and roof assemblies, as shown in Figure 5A and Figure 5B, calculation of the concrete pryout strength in accordance with ~~ACI 318-14 17.5.3 or ACI 318-11 D.6.3~~, as applicable, is not required.

4.1.8 Requirements for Seismic Design:

4.1.8.1 General: For load combinations including seismic loads, the design must be performed in accordance with ~~ACI 318-14 17.2.3 or ACI 318-11 D.3.3~~, as applicable. ~~Modifications to ACI 318-14 17.2.3 shall be applied under Section 1905.1.8 of the 2015 IBC.~~ For the 2012 IBC, Section 1905.1.9 must be omitted. Modifications to ACI 318 (-08, -05) D.3.3 shall be applied under Section 1908.1.9 of the 2009 IBC or Section 1908.1.16 of the 2006 IBC, as applicable.

The anchors comply with ~~ACI 318-14 2.3 or ACI 318 (-11, -08, -05) D.1~~, as applicable, as ductile steel elements and must be designed in accordance with ~~ACI 318-14 17.2.3.4, 17.2.3.5, 17.2.3.6 or 17.2.3.7; ACI 318-11 D.3.3.4, D.3.3.5, D.3.3.6 or D.3.3.7; ACI 318-08 D.3.3.4, D.3.3.5 or D.3.3.6; or ACI 318-05 D.3.3.4 or D.3.3.5~~, as applicable. Strength reduction factors, ϕ , are given in Tables 2 and 3 of this report. ~~The 1/4-inch diameter (6.4 mm) anchors must be limited to installation in structures assigned to IBC Seismic Design Categories A and B only.~~ The 3/8-inch-diameter (9.5 mm), 1/2-inch-diameter (12.7 mm), 5/8-inch-diameter (15.9 mm), 3/4-inch-diameter (19.1 mm), 7/8-inch-diameter (22.2 mm), 1-inch-diameter (25.4 mm) and 1 1/4-inch-diameter (31.8 mm) anchors may be installed in structures assigned to IBC Seismic Design Categories A to F.

4.1.8.2 Seismic Tension: The nominal steel strength and nominal concrete breakout strength for anchors in tension must be calculated in accordance with ~~ACI 318-14 17.4.1 and 17.4.2 or ACI 318-11 D.5.1 and D.5.2~~, respectively, as applicable, as described in Sections 4.1.2 and 4.1.3 of this report. In accordance with ~~ACI 318-14 17.4.3.2 or ACI 318-11 D.5.3.2~~, as applicable, the appropriate value for pullout strength in tension for seismic loads, $N_{p,eq}$, described in Table 2 must be used in lieu of N_p . $N_{p,eq}$ may be adjusted by calculations for concrete compressive strength in accordance with Eq-1 of this report.

For anchors installed in the soffit of sand-lightweight or normal-weight concrete-filled steel deck floor and roof assemblies, the nominal pullout strength in tension for seismic loads, $N_{p,deck,eq}$, is provided in Table 2 and must be used in lieu of $N_{p,cr}$. $N_{p,deck,eq}$ may be adjusted by calculations for concrete compressive strength in accordance with Eq-1 of this report where the value of 3,000 psi (20.7 MPa) must be substituted for the value of 2,500 psi (17.2 MPa) in the denominator.

Where values for $N_{p,eq}$ or $N_{p,deck,eq}$ are not provided in Table 2 of this report, the pullout strength in tension for seismic loads does not govern and need not be evaluated.

4.1.8.3 Seismic Shear: The nominal concrete breakout strength and concrete pryout strength for anchors in shear must be calculated according to ~~ACI 318-14 17.5.2 and 17.5.3 or ACI 318-11 D.6.2 and D.6.3~~, respectively, as applicable, as described in Sections 4.1.6 and 4.1.7. In accordance with ~~ACI 318-14 17.5.1.2 or ACI 318-11 D.6.1.2~~, as applicable, the appropriate value for nominal steel strength in shear for seismic loads, $V_{sa,eq}$, described in Table 3 must be used in lieu of V_{sa} .

For anchors installed in the soffit of sand-lightweight or normal-weight concrete-filled steel deck floor and roof assemblies, as shown in Figure 5A and Figure 5B, the appropriate value for nominal steel strength in shear for seismic loads, $V_{sa,deck,eq}$, described in Table 3 must be used in lieu of V_{sa} .

4.1.9 Requirements for Interaction of Tensile and Shear Forces: Anchors or groups of anchors that are subject to the effects of combined axial (tensile) and shear

* forces must be designed in accordance with ~~ACI 318-14 17.6~~ or ACI 318-11 D.7, as applicable.

4.1.10 Requirements for Critical Edge Distance: In applications where $c < c_{ac}$ and supplemental reinforcement to control splitting of the concrete is not present, the concrete breakout strength in tension for uncracked concrete, calculated according to ~~ACI 318-14 17.4.2~~ or ACI 318-11 D.5.2, as applicable, must be further multiplied by the factor $\psi_{cp,N}$ given by Eq-3:

$$\psi_{cp,N} = \frac{c}{c_{ac}} \quad (\text{Eq-3})$$

where the factor $\psi_{cp,N}$ need not be taken as less than $\frac{1.5h_{ef}}{c_{ac}}$.

* For all other cases, $\psi_{cp,N} = 1.0$. In lieu of using ~~ACI 318-14 17.7.6~~ or ACI 318-11 D.8.6, as applicable, values of c_{ac} must comply with Table 1 of this report.

4.1.11 Requirements for Minimum Member Thickness, Minimum Anchor Spacing and Minimum Edge Distance: In lieu of ~~ACI 318-14 17.7.1 and 17.7.3~~; or ACI 318-11 D.8.1 and D.8.3, respectively, as applicable, values of c_{min} and s_{min} must comply with Table 1. In lieu of ~~ACI 318-14 17.7.5~~ or ACI 318-11 D.8.5, as applicable, minimum member thicknesses, h_{min} or $h_{min,deck}$, must comply with Table 1. ~~Additional combinations of minimum member thickness, h_{min} , and spacing, s_{min} , may be derived by linear interpolation between the given boundary values as described in Figure 6.~~

* ~~For anchors installed in the topside of concrete-filled steel deck assemblies, the anchors must be installed in accordance with Table 1 and Figure 4 of this report.~~

For anchors installed through the soffit of steel deck assemblies, the anchors must be installed in accordance with Figure 5A and Figure 5B and must have an axial spacing along the flute equal to the greater of $3h_{ef}$ or 1.5 times the flute width.

4.1.12 Lightweight Concrete: For the use of anchors in lightweight concrete, the modification factor λ_a equal to 0.8λ is applied to all values of $\sqrt{f'_c}$ affecting N_n and V_n .

* For ~~ACI 318-14 (2015 IBC)~~, ACI 318-11 (2012 IBC) and ACI 318-08 (2009 IBC), λ shall be determined in accordance with the corresponding version of ACI 318.

For ACI 318-05 (2006 IBC), λ shall be taken as 0.75 for all lightweight concrete and 0.85 for sand-lightweight concrete. Linear interpolation shall be permitted if partial sand replacement is used. In addition, the pullout strengths $N_{p,cr}$, $N_{p,uncr}$, and N_{eq} shall be multiplied by the modification factor, λ_a , as applicable.

For anchors installed in the soffit of sand-lightweight concrete-filled steel deck and floor and roof assemblies, further reduction of the pullout values provided in this report is not required.

4.2 Allowable Stress Design (ASD):

4.2.1 General: Where design values for use with allowable stress design (working stress design) load combinations in accordance with Section 1605.3 of the IBC are required these are calculated using Eq-4 and Eq-5 as follows:

$$T_{allowable,ASD} = \frac{\phi N_n}{\alpha} \quad (\text{Eq-4})$$

$$V_{allowable,ASD} = \frac{\phi V_n}{\alpha} \quad (\text{Eq-5})$$

where:

$T_{allowable,ASD}$ = Allowable tension load (lbf or kN)

$V_{allowable,ASD}$ = Allowable shear load (lbf or kN)

ϕN_n = Lowest design strength of an anchor or anchor group in tension as determined in accordance with ~~ACI 318-14 Chapter 17 and 2015 Section 1905.1.8~~, ACI 318-11 Appendix D, ACI 318-08 Appendix D and 2009 IBC Section 1908.1.9, ACI 318-05 Appendix and 2006 IBC Section 1908.1.16 and Section 4.1 of this report, as applicable (lbf or N).

ϕV_n = Lowest design strength of an anchor or anchor group in shear as determined in accordance with ~~ACI 318-14 Chapter and 2015 IBC Section 1905.1.8~~, ACI 318-11 Appendix D, ACI 318-08 Appendix D and 2009 IBC Section 1908.1.9, ACI 318-05 Appendix D and 2006 IBC Section 1908.1.16, and Section 4.1 of this report, as applicable (lbf or N).

α = Conversion factor calculated as a weighted average of the load factors for the controlling load combination. In addition, α must include all applicable factors to account for nonductile failure modes and required over-strength.

The requirements for member thickness, edge distance and spacing, described in this report, must apply. An example of allowable stress design values for illustrative purposes is shown in Table 4 and Figures 7, 8 and 9.

4.2.2 Interaction of Tensile and Shear Forces: The interaction must be calculated and consistent with ~~ACI 318-14 17.6~~ or ACI 318 (-11, -08, -05) D.7 as follows:

For shear loads $V_{applied} \leq 0.2V_{allowable,ASD}$, the full allowable load in tension shall be permitted.

For tension loads $T_{applied} \leq 0.2T_{allowable,ASD}$, the full allowable load in shear shall be permitted.

For all other cases Eq-6 applies:

$$\frac{T_{applied}}{T_{allowable,ASD}} + \frac{V_{applied}}{V_{allowable,ASD}} \leq 1.2 \quad (\text{Eq-6})$$

4.3 Installation:

Installation parameters are provided in Table 1 and Figures 1, 3, 4, 5A and 5B of this report. Anchor locations must comply with this report and the plans and specifications approved by the code official. The Power-Stud+ SD1 expansion anchors must be installed in accordance with the manufacturer's published installation instructions and this report. Anchors must be installed in holes drilled into the concrete using carbide-tipped masonry drill bits complying with ANSI B212.15-1994. The nominal drill bit diameter must be equal to that of the anchor. The minimum drilled hole depth is given in Table 1, ~~Figure 4, Figure 5A and Figure 5B~~. Prior to anchor installation, the dust and debris must be removed from the predrilled hole using a hand pump, compressed air or vacuum. The anchor must be hammered into the predrilled hole until the proper nominal embedment depth is achieved. The nut must be tightened against the washer until the torque values specified in Table 1 are achieved.

~~For installation in the topside of concrete-filled steel deck assemblies, installations must comply with Figure 4.~~

For installation in the soffit of concrete on steel deck assemblies, the hole diameter in the steel deck must be no more than $\frac{1}{8}$ -inch (3.2 mm) larger than the diameter of the hole in the concrete. Member thickness and edge distance restrictions for installations into the soffit of concrete on steel deck assemblies must comply with Figure 5A and Figure 5B.

4.4 Special Inspection:

Periodic special inspection is required in accordance with Section 1705.1.1 and Table 1705.3 of the 2015 IBC and 2012 IBC, Section 1704.15 and Table 1704.4 of the 2009 IBC, or Section 1704.13 of the 2006 IBC, as applicable. The special inspector must make periodic inspections during anchor installation to verify anchor type, anchor dimensions, concrete type, concrete compressive strength, drill bit type, hole dimensions, hole cleaning procedure, concrete member thickness, anchor embedment, anchor spacing, edge distances, tightening torque and adherence to the manufacturer's printed installation instructions. The special inspector must be present as often as required in accordance with the "statement of special inspection".

5.0 CONDITIONS OF USE

The Powers Power-Stud+ SD1 expansion anchors described in this report comply with, or are suitable alternatives to what is specified in, those codes listed in Section 1.0 of this report, subject to the following conditions:

- 5.1 The anchors must be installed in accordance with the manufacturer's published installation instructions and this report. In case of conflict, this report governs.
- 5.2 Anchor sizes, dimensions, and minimum embedment depths are as set forth in this report.
- ~~* 5.3 The $\frac{1}{4}$ -inch (6.4 mm) anchors must be installed in uncracked normal-weight or lightweight concrete; $\frac{3}{8}$ -inch to $1\frac{1}{4}$ -inch anchors (9.5 mm to 31.8 mm) must be installed in cracked or uncracked normal-weight or lightweight concrete having a specified compressive strength, f'_c , of 2,500 psi to 8,500 psi (17.2 MPa to 58.6 MPa) [minimum of 24 MPa is required under ADIBC Appendix L, Section 5.1.1].~~
- ~~* 5.4 The $\frac{3}{8}$ -inch and $\frac{1}{2}$ -inch (9.5 mm to 12.7 mm) anchors must be installed in the topside of cracked and uncracked normal-weight or sand-lightweight concrete-filled steel deck having a specified compressive strength, f'_c , of 2,500 psi to 8,500 psi (17.2 MPa to 58.6 MPa) [minimum of 24 MPa is required under ADIBC Appendix L, Section 5.1.1].~~
- 5.5 The $\frac{3}{8}$ -inch to $\frac{3}{4}$ -inch anchors (9.5 mm and 19.1 mm) must be installed in the soffit of cracked and uncracked normal-weight or sand-lightweight concrete-filled steel deck having a minimum specified compressive strength, f'_c , of 3,000 psi (20.7 MPa) [minimum of 24 MPa is required under ADIBC Appendix L, Section 5.1.1].
- * 5.6 The values of f'_c used for calculation purposes must not exceed 8,000 psi (55.2 MPa).
- 5.7 Strength design values must be established in accordance with Section 4.1 of this report.
- 5.8 Allowable stress design values must be established in accordance with Section 4.2 of this report.
- 5.9 Anchor spacing(s) and edge distance(s), as well as minimum member thickness, must comply with Table 1, Figure 4, Figure 5A and Figure 5B of this report, unless otherwise noted.
- * 5.10 Prior to installation, calculations and details demonstrating compliance with this report must be

submitted to the code official. The calculations and details must be prepared by a registered design professional where required by the statutes of the jurisdiction in which the project is to be constructed.

- 5.11 Since an ICC-ES acceptance criteria for evaluating data to determine the performance of anchors subjected to fatigue or shock loading is unavailable at this time, the use of these anchors under such conditions is beyond the scope of this report.
- 5.12 Anchors [except $\frac{1}{4}$ -inch diameter (6.4 mm)] may be installed in regions of concrete where cracking has occurred or where analysis indicates cracking may occur ($f_t > f_r$), subject to the conditions of this report.
- ~~5.13 The $\frac{1}{4}$ -inch diameter (6.4 mm) anchors may be used to resist short-term loading due to wind forces, and for seismic load combinations limited to structures assigned to Seismic Design Categories A and B, under the IBC, subject to the conditions of this report. The $\frac{3}{8}$ -inch- to $1\frac{1}{4}$ -inch diameter (9.5 mm to 31.8 mm) anchors may be used to resist short-term loading due to wind or seismic forces in structures assigned to Seismic Design Categories A through F, under the IBC, subject to the conditions of this report.~~
- 5.14 Where not otherwise prohibited in the code, Power-Stud+ SD1 expansion anchors are permitted for use with fire-resistance-rated construction provided that at least one of the following conditions is fulfilled:
 - The anchors are used to resist wind or seismic forces only.
 - Anchors that support a fire-resistance-rated envelope or a fire-resistance-rated membrane are protected by approved fire-resistance-rated materials, or have been evaluated for resistance to fire exposure in accordance with recognized standards.
 - Anchors are used to support nonstructural elements.
- 5.15 Use of carbon steel anchors is limited to dry, interior locations.
- 5.16 Special inspection must be provided in accordance with Section 4.4 of this report.
- 5.17 Anchors are manufactured under an approved quality control program with inspections by ICC-ES.

6.0 EVIDENCE SUBMITTED

Data in accordance with the ICC-ES Acceptance Criteria for Mechanical Anchors in Concrete Elements (AC193), dated October 2015, which incorporates requirements in ACI 355.2-07 / ACI 355.2-04, for use in cracked and uncracked concrete; including optional service-condition Test 18 and Test 19 (AC193, Annex 1, Table 4.2) for seismic tension and shear; and quality control documentation.

7.0 IDENTIFICATION

The Power-Stud+ SD1 expansion anchors are identified by dimensional characteristics and packaging. A length letter code is stamped on each anchor on the exposed threaded stud end which is visible after installation. Table C summarizes the length code identification system. A plus sign "+" is also marked with the number "1" on all anchors with the exception of the $\frac{1}{4}$ -inch diameter (6.4 mm) anchors. Packages are identified with the product name, type and size, the company name as set forth in Table A of this report, and the evaluation report number (ESR-2818).

TABLE A—CROSS REFERENCE OF PRODUCT NAMES TO COMPANY NAMES

COMPANY NAME	PRODUCT NAME
Powers Fasteners, Inc.	Power-Stud+ SD1
Cooper B-Line	Cooper B-Line Wedge Anchor
DEWALT (Stanley Black & Decker)	Power-Stud+ SD1
L. H. Dottie Co.	Dottie Wedge SD1
The Hillman Group	Hillman Power-Stud+ SD1

TABLE B—MEAN AXIAL STIFFNESS VALUES, β , FOR POWER-STUD+ SD1 EXPANSION ANCHORS IN NORMAL-WEIGHT CONCRETE¹

CONCRETE STATE	UNITS	NOMINAL ANCHOR DIAMETER							
		1/4 inch	3/8 inch	1/2 inch	5/8 inch	3/4 inch	7/8 inch	1 inch	1 1/4 inch
Uncracked concrete	10 ³ lbf/in. (kN/mm)	110 (19)	188 (33)	141 (25)	200 (35)	200 (35)	1,500 (253)	600 (103)	920 (161)
Cracked concrete	10 ³ lbf/in. (kN/mm)	-	26 (4)	30 (5)	50 (9)	51 (9)	360 (63)	129 (23)	450 (79)

¹Mean values shown; actual stiffness varies considerably depending on concrete strength, loading and geometry of application.

TABLE 1—POWER-STUD+ SD1 ANCHOR INSTALLATION SPECIFICATIONS IN CONCRETE¹

Anchor Property/Setting Information	Notation	Units	Nominal Anchor Diameter										
			1/4 inch	3/8 inch	1/2 inch	5/8 inch	3/4 inch	7/8 inch	1 inch	1 1/4 inch			
Anchor diameter	d_a (d_o) ⁷	in. (mm)	0.250 (6.4)	0.375 (9.5)	0.500 (12.7)	0.625 (15.9)	0.750 (19.1)	0.875 (22.2)	1.000 (25.4)	1.250 (31.8)			
Minimum diameter of hole clearance in fixture	d_h	in. (mm)	5/16 (7.5)	7/16 (11.1)	9/16 (14.3)	11/16 (17.5)	13/16 (20.6)	1 (25.4)	1 1/8 (28.6)	1 3/8 (34.9)			
Nominal drill bit diameter	d_{bit}	in. ANSI	1/4 ANSI	3/8 ANSI	1/2 ANSI	5/8 ANSI	3/4 ANSI	7/8 ANSI	1 ANSI	1 1/2 ANSI			
Nominal embedment depth	h_{nom}	in. (mm)	1 3/4 (44)	2 3/8 (60)	2 1/2 (64)	3 3/4 (95)	3 3/8 (86)	4 5/8 (117)	4 (102)	5 5/8 (143)	4 1/2 (114)	5 1/2 (140)	6 1/2 (165)
Effective embedment depth	h_{ef}	in. (mm)	1.50 (38)	2.00 (51)	2.00 (51)	3.25 (83)	2.75 (70)	4.00 (102)	3.125 (79)	4.75 (114)	3.50 (89)	4.375 (111)	5.375 (137)
Minimum hole depth	h_{hole}	in. mm	1 1/8 (48)	2 1/2 (64)	2 3/4 (70)	4 (102)	3 3/4 (95)	5 (127)	4 1/4 (108)	5 7/8 (149)	4 1/8 (124)	5 7/8 (149)	7 1/4 (184)
Minimum overall anchor length ²	ℓ_{anch}	in. mm	2 1/4 (57)	3 (76)	3 3/4 (95)	4 1/2 (114)	4 1/2 (114)	6 (152)	5 1/2 (140)	7 (178)	8 (203)	9 (229)	9 (229)
Installation torque ⁶	T_{inst}	ft.-lbf. (N-m)	4 (5)	20 (27)	40 (54)	80 (108)	110 (149)	175 (237)	225 (305)	375 (508)			
Torque wrench/socket size	-	in.	7/16	9/16	3/4	15/16	1 1/8	1 5/16	1 1/2	1 7/8			
Nut height	-	in.	7/32	21/64	7/16	35/64	41/64	3/4	55/64	11/16			

Anchors Installed in Concrete Construction

Minimum member thickness	h_{min}	in. (mm)	3 1/4 (83)	3 3/4 (95)	4 (102)	4 (102)	6 (152)	6 (152)	7 (178)	6 (152)	10 (254)	10 (254)	10 (254)	12 (305)				
Minimum edge distance	c_{min}	in. (mm)	3 1/4 (44)	6 (152)	2 1/4 (70)	2 1/4 (57)	6 (152)	3 1/4 (95)	4 (102)	2 3/4 (70)	6 (152)	5 1/2 (140)	4 1/4 (108)	5 (127)	6 (152)	7 (178)	8 (203)	8 (203)
Minimum spacing distance	s_{min}	in. (mm)	2 1/4 (57)	3 1/2 (89)	9 (229)	3 3/4 (95)	4 1/2 (114)	10 (254)	5 (127)	6 (152)	6 (152)	11 (270)	4 1/4 (108)	6 (152)	6 1/2 (165)	6 1/2 (165)	8 (203)	8 (203)
Critical edge distance (uncracked concrete only)	c_{ac}	in. (mm)	3 1/2 (89)	6 1/2 (165)	8 (203)	8 (203)	8 (203)	6 (152)	10 (254)	11 (279)	16 (406)	11 1/2 (292)	12 (305)	20 (508)				

Anchors Installed in the Topside of Concrete-filled Steel Deck Assemblies^{3,4}

Minimum member topping thickness	$h_{min,deck}$	in. (mm)	3 1/4 (83)	3 1/4 (95)	3 1/4 (95)	See Note 3	See Note 3	See Note 3	See Note 3	See Note 3	See Note 3
Minimum edge distance	$c_{min,deck,top}$	in. (mm)	3 1/4 (44)	2 3/4 (70)	4 1/2 (114)						
Minimum spacing distance	$s_{min,deck,top}$	in. (mm)	2 1/4 (57)	4 (102)	6 1/2 (165)						
Critical edge distance (uncracked concrete only)	$c_{ac,deck,top}$	in. (mm)	3 1/2 (89)	6 1/2 (165)	6 (152)						

Anchors Installed Through the Soffit of Steel Deck Assemblies into Concrete⁵

Minimum member topping thickness (see detail in Figure 5A)	$h_{min,deck}$	in. (mm)	Not Applicable	3 1/4 (95)	3 1/4 (95)	3 1/4 (95)	3 1/4 (95)	Not Applicable	Not Applicable	Not Applicable			
Minimum edge distance, lower flute (see detail in Figure 5A)	c_{min}	in. (mm)		1 1/4 (32)	1 1/4 (32)	1 1/4 (32)	1 1/4 (32)						
Minimum axial spacing distance along flute (see detail in Figure 5A)	s_{min}	in. (mm)		6 3/4 (171)	6 3/4 (171)	9 3/4 (248)	8 1/4 (210)				12 (305)	9 3/8 (238)	14 1/4 (362)
Minimum member topping thickness (see detail in Figure 5B)	$h_{min,deck}$	in. (mm)		2 1/4 (57)	2 1/4 (57)	Not Applicable	Not Applicable				Not Applicable	Not Applicable	Not Applicable
Minimum edge distance, lower flute (see detail in Figure 5B)	c_{min}	in. (mm)	3/4 (19)	3/4 (19)									
Minimum axial spacing distance along flute (see detail in Figure 5B)	s_{min}	in. (mm)	6 (152)	6 (152)	9 3/4 (248)								

For SI: 1 inch = 25.4 mm, 1 ft-lbf = 1.356 N-m.

* ¹The information presented in this table is to be used in conjunction with the design criteria of ACI 318-14 Chapter 17 or ACI 318-11 Appendix D, as applicable.
²The listed minimum overall anchor length is based on anchor sizes commercially available at the time of publication compared with the requirements to achieve the minimum nominal embedment depth, nut height and washer thickness, and consideration of a possible fixture attachment.
³The 1/4-inch-diameter (6.4 mm) anchors may be installed in the topside of uncracked concrete-filled steel deck assemblies where concrete thickness above the upper flute meets the minimum member thicknesses specified in this table. The 3/8-inch (9.5 mm) through 1 1/4-inch-diameter (31.8 mm) anchors may be installed in the topside of cracked and uncracked concrete-filled steel deck assemblies where concrete thickness above the upper flute meets the minimum member thicknesses specified in this table under Anchors Installed in Concrete Construction.
⁴For installations in the topside of concrete-filled steel deck assemblies, see the installation detail in Figure 4.
⁵For installations through the soffit of steel deck assemblies into concrete, see the installation details in Figures 5A and 5B. In accordance with the figures, anchors shall have an axial spacing along the flute equal to the greater of 3 h_{ar} or 1.5 times the flute width.
⁶For installation of 5/8-inch-diameter anchors through the soffit of the steel deck into concrete, the installation torque is 50 ft.-lbf. For installation of 3/4-inch-diameter anchors through the soffit of the steel deck into concrete, installation torque is 80 ft.-lbf.
⁷The notation in brackets is for the 2006 IBC.

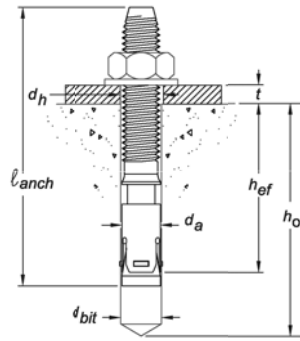
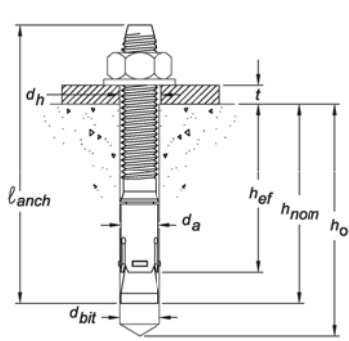


FIGURE 1—POWER-STUD+ SD1 ANCHOR DETAIL Before (Left Picture) and After (Right Picture) Application of Installation Torque

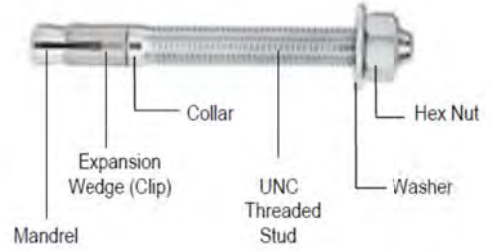
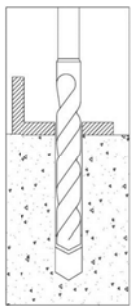
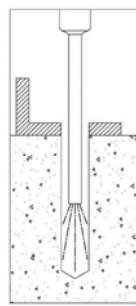


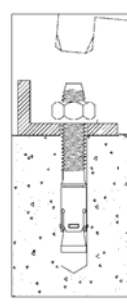
FIGURE 2—POWER-STUD+ SD1 ANCHOR ASSEMBLY



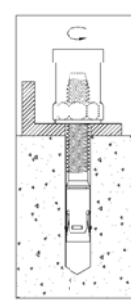
1.) Using the proper drill bit size, drill a hole into the base material to the required depth. The tolerances of the drill bit used should meet the requirements of ANSI Standard B2.12.15.



2.) Remove dust and debris from the hole using a hand pump, compressed air or a vacuum to remove loose particles left from drilling.



3.) Position the washer on the anchor and thread on the nut. If installing through a fixture, drive the anchor through the fixture into the hole. Be sure the anchor is driven to the minimum required embedment depth, h_{nom} .



4.) Tighten the anchor with a torque wrench by applying the required installation torque, T_{inst} . (See Table 1. Note: The threaded stud will draw up during the tightening of the nut; the expansion clip (wedge) remains in original position.)

FIGURE 3—POWER-STUD+ SD1 INSTALLATION INSTRUCTIONS

TABLE C—POWER-STUD+ SD1 ANCHOR LENGTH CODE IDENTIFICATION SYSTEM

Length ID marking on threaded stud head	From	A	B	C	D	E	F	G	H	I	J	K	L	M	N	O	P	Q	R	S	T
		Overall anchor length, l_{anch} (inches)	Up to but not including	1 1/2	2	2 1/2	3	3 1/2	4	4 1/2	5	5 1/2	6	6 1/2	7	7 1/2	8	8 1/2	9	9 1/2	10
		2	2 1/2	3	3 1/2	4	4 1/2	5	5 1/2	6	6 1/2	7	7 1/2	8	8 1/2	9	9 1/2	10	11	12	13

For SI: 1 inch = 25.4 mm.

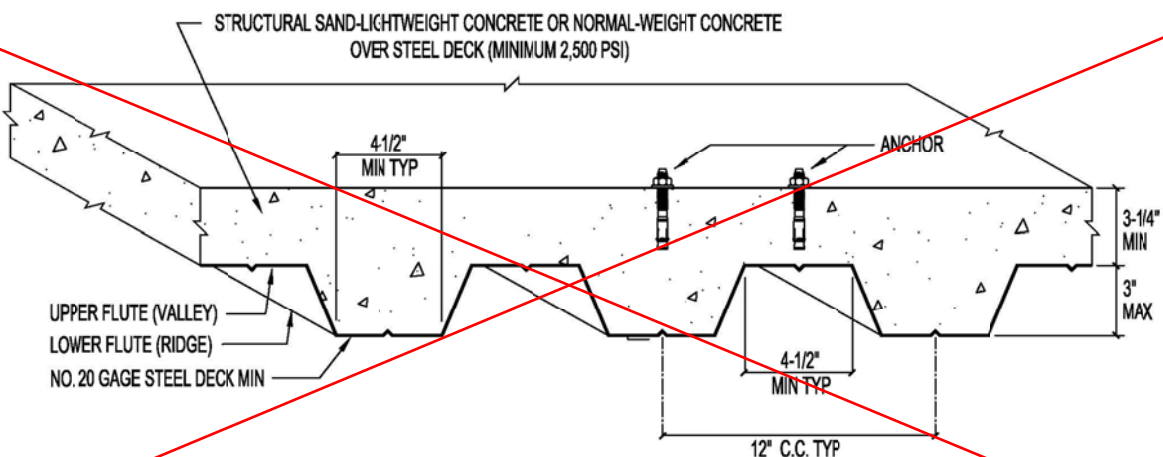


FIGURE 4—POWER-STUD+ SD1 INSTALLATION DETAIL FOR ANCHORS IN THE TOPSIDE OF CONCRETE-FILLED STEEL DECK FLOOR AND ROOF ASSEMBLIES (SEE DIMENSIONAL PROFILE REQUIREMENTS)

¹Anchors may be placed in the topside of steel deck profiles in accordance with Figure 4 provided the minimum member topping thickness, minimum spacing distance and minimum edge distance are satisfied as given in Table 1 of this report.

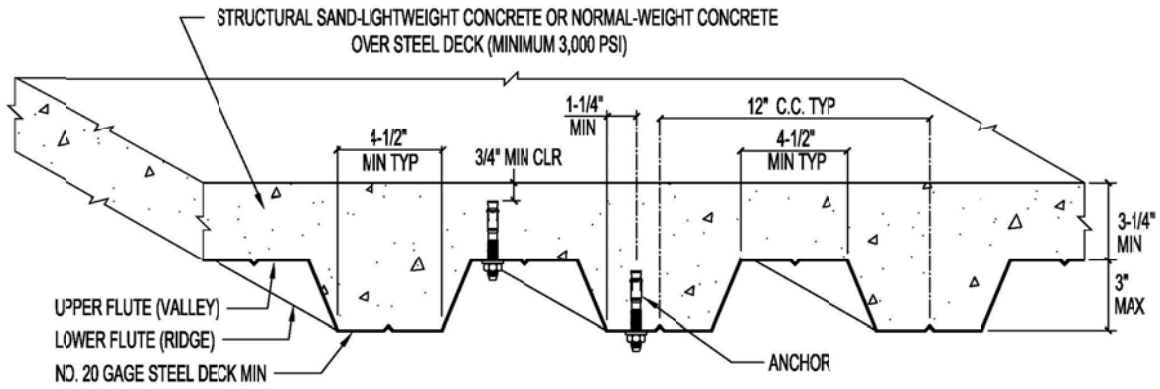


FIGURE 5A—POWER-STUD+ SD1 INSTALLATION DETAIL FOR ANCHORS IN THE SOFFIT OF CONCRETE OVER STEEL DECK FLOOR AND ROOF ASSEMBLIES (SEE DIMENSIONAL PROFILE REQUIREMENTS)¹

¹Anchors may be placed in the upper flute or lower flute of the steel deck profiles in accordance with Figure 5A provided the minimum hole clearance is satisfied. Anchors in the lower flute of Figure 5A profiles may be installed with a maximum 1-inch offset in either direction from the center of the flute. The offset distance may be increased proportionally for profiles with lower flute widths greater than those shown provided the minimum lower flute edge distance is also satisfied. In addition, the anchors must have an axial spacing along the flute equal to the greater of $3h_{ef}$ or 1.5 times the flute width.

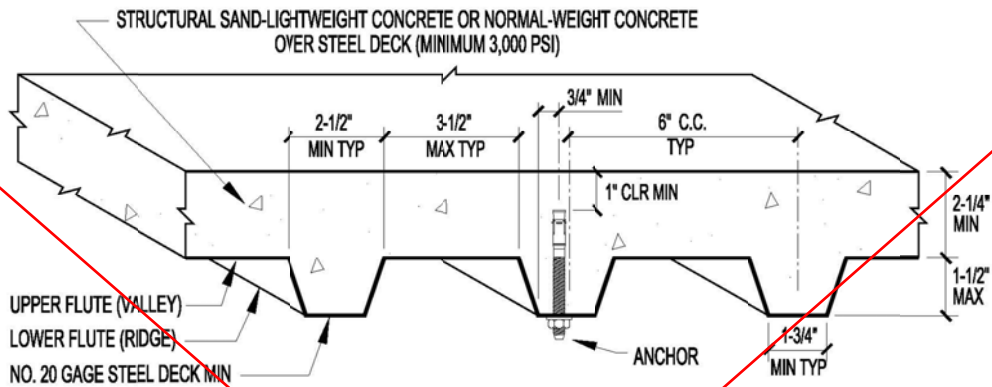


FIGURE 5B—POWER-STUD+ SD1 INSTALLATION DETAIL FOR ANCHORS IN THE SOFFIT OF CONCRETE OVER STEEL DECK FLOOR AND ROOF ASSEMBLIES (SEE DIMENSIONAL PROFILE REQUIREMENTS)^{1,2}

¹Anchors may be placed in the lower flute of the steel deck profiles in accordance with Figure 5B provided the minimum hole clearance is satisfied. Anchors in the lower flute of Figure 5B profiles may be installed with a maximum $1/8$ -inch offset in either direction from the center of the flute. The offset distance may be increased proportionally for profiles with lower flute widths greater than those shown provided the minimum lower flute edge distance is also satisfied. In addition, the anchors must have an axial spacing along the flute equal to the greater of $3h_{ef}$ or 1.5 times the flute width.

²Anchors may be placed in the upper flute of the steel deck profiles in accordance with Figure 5B provided the concrete thickness above the upper flute is minimum $3/4$ -inch and a minimum hole clearance of $3/4$ -inch is satisfied.

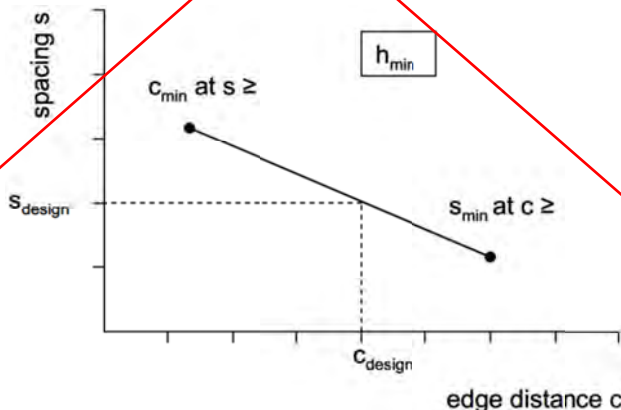


FIGURE 6—INTERPOLATION OF MINIMUM EDGE DISTANCE AND ANCHOR SPACING¹

¹This interpolation applies to the cases when two sets of minimum edge distances, c_{min} , and minimum spacing distances, s_{min} , are given in Table 1 for a given anchor diameter under the same effective embedment depth, h_{ef} , and corresponding minimum member thickness, h_{min} .

TABLE 2—TENSION DESIGN INFORMATION FOR POWER-STUD+ SD1 ANCHOR IN CONCRETE
 * (For use with load combinations taken from ~~ACI 318-14 Section 5.3~~ or ACI 318 -11 Section 9.2)^{1,2}

Design Characteristic	Notation	Units	Nominal Anchor Diameter										
			1/4 inch	3/8 inch	1/2 inch	5/8 inch	3/4 inch	7/8 inch	1 inch	1 1/4 inch			
Anchor category	1, 2 or 3	-	1	1	1	1	1	1	1	1	1		
STEEL STRENGTH IN TENSION⁴ **													
Minimum specified yield strength (neck)	f_{ya}	ksi (N/mm ²)	88.0 (606)	88.0 (606)	80.0 (551)	80.0 (551)	58 64.0 (441)	58.0 (400)	58.0 (400)	58.0 (400)	58.0 (400)		
Minimum specified ultimate tensile strength (neck)	f_{uta} ¹²	ksi (N/mm ²)	110.0 (758)	110.0 (758)	100.0 (689)	100.0 (689)	75 80.0 (552)	75.0 (517)	75.0 (517)	75.0 (517)	75.0 (517)		
Effective tensile stress area (neck)	$A_{se,N}$ [A_{se}] ¹²	in ² (mm ²)	0.0220 (14.2)	0.0531 (34.3)	0.1018 (65.7)	0.1626 (104.9)	0.2376 (150.9)	0.327 (207.5)	0.4300 (273.1)	0.4300 (273.1)	0.762 (484)		
Steel strength in tension ⁴	N_{sa}	lb (kN)	2,255 (10.0)	5,455 (24.3)	9,080 (40.4)	14,465 (64.3)	17,820 (84.5)	19,000 (109.0)	24,500 (143.5)	32,250 (143.5)	56,200 (250)		
Reduction factor for steel strength ³	ϕ	-	0.75										
CONCRETE BREAKOUT STRENGTH IN TENSION⁸													
Effective embedment depth	h_{ef}	in. (mm)	1.50 (38)	2.00 (51)	2.00 (51)	3.25 (83)	2.75 (70)	4.00 (102)	3.125 (79)	4.75 (114)	3.50 (89)	4.375 (111)	5.375 (137)
Effectiveness factor for uncracked concrete	k_{uncr}	-	24	24	24	24	24	24	24	24	24	24	27
Effectiveness factor for cracked concrete	k_{cr}	-	Not Applicable	17	17	17	17	21	21	17	21	24	24
Modification factor for cracked and uncracked concrete ⁵	$\psi_{c,N}$	-	1.0	1.0	1.0	1.0	1.0	1.0	1.0	1.0	1.0	1.0	1.0
Critical edge distance (uncracked concrete only)	c_{ac}	in. (mm)	See Table 1										
Reduction factor for concrete breakout strength ³	ϕ	-	0.65 (Condition B)										
PULLOUT STRENGTH IN TENSION (NON SEISMIC-APPLICATIONS)^{8,9}													
Characteristic pullout strength, uncracked concrete (2,500 psi) ⁶	$N_{p,uncr}$	lb (kN)	See note 7	2,865 (12.8)	3,220 (14.3)	5,530 (24.6)	See note 7	See note 7	See note 7	See note 7	See note 7	See note 7	See note 7
Characteristic pullout strength, cracked concrete (2,500 psi) ⁶	$N_{p,cr}$	lb (kN)	Not Applicable	2,035 (9.1)	See note 7	2,505 (11.2)	See note 7	4,450 (19.8)	See note 7	See note 7	See note 7	11,350 (50.5)	11,350 (50.5)
Reduction factor for pullout strength ³	ϕ	-	0.65 (Condition B)										
PULLOUT STRENGTH IN TENSION FOR SEISMIC APPLICATIONS^{8,9}													
Characteristic pullout strength, seismic (2,500 psi) ^{6,10}	$N_{p,eq}$	lb (kN)	Not Applicable	2,035 (9.1)	See note 7	2,505 (11.1)	See note 7	4,450 (19.8)	See note 7	See note 7	See note 7	11,350 (50.5)	11,350 (50.5)
Reduction factor for pullout strength, seismic ³	ϕ	-	0.65 (Condition B)										
PULLOUT STRENGTH IN TENSION FOR ANCHORS INSTALLED THROUGH THE SOFFIT OF SAND-LIGHTWEIGHT AND NORMAL-WEIGHT CONCRETE OVER STEEL DECK													
Characteristic pullout strength, uncracked concrete over steel deck (Figure 5A) ^{5,11}	$N_{p,deck,uncr}$	lb (kN)	Not Applicable	1,940 (8.6)	3,205 (14.2)	2,795 (12.4)	3,230 (14.4)	Not Applicable	Not Applicable	Not Applicable	Not Applicable	Not Applicable	Not Applicable
Characteristic pullout strength, cracked concrete over steel deck (Figure 5A) ^{5,11}	$N_{p,deck,cr}$	lb (kN)		1,375 (6.1)	2,390 (10.6)	1,980 (8.8)	2,825 (12.4)						
Characteristic pullout strength, cracked concrete over steel deck, seismic (Figure 5A) ^{6,11}	$N_{p,deck,eq}$	lb (kN)		1,375 (6.1)	2,390 (10.6)	1,980 (8.8)	2,825 (12.4)						
Characteristic pullout strength, uncracked concrete over steel deck (Figure 5B) ^{6,11}	$N_{p,deck,uncr}$	lb (kN)		1,665 (7.4)	1,900 (8.5)	Not Applicable	Not Applicable						
Characteristic pullout strength, cracked concrete over steel deck (Figure 5B) ^{6,11}	$N_{p,deck,cr}$	lb (kN)		1,180 (5.2)	1,420 (6.3)								
Characteristic pullout strength, cracked concrete over steel deck, seismic (Figure 5B) ^{6,11}	$N_{p,deck,eq}$	lb (kN)		1,180 (5.2)	1,420 (6.3)								
Reduction factor for pullout strength, steel deck ³	ϕ	-	0.65 (Condition B)										

For SI: 1 inch = 25.4 mm; 1 ksi = 6.894 N/mm²; 1 lbf = 0.0044 kN.

- * ¹The data in this table is intended to be used with the design provisions of ~~ACI 318-14 Chapter 17~~ or ACI 318 -11 Appendix D, as applicable; for anchors resisting seismic load combinations the additional requirements of ~~ACI 318-14 17.2.3~~ or ACI 318-11 D.3.3, as applicable, must apply.
- * ²Installation must comply with published instructions and details.
- * ³All values of ϕ apply to the load combinations of IBC Section 1605.2, ~~ACI 318-14 Section 5.3~~ or ACI 318-11 Section 9.2, as applicable. If the load combinations of ACI 318-11 Appendix C are used, then the appropriate value of ϕ must be determined in accordance with ACI 318-11 D.4.4. For reinforcement that meets ~~ACI 318-14 Chapter 17~~ or ACI 318-11 Appendix D requirements for Condition A, see ~~ACI 318-14 17.3.3(c)~~ or ACI 318-11 D.4.3(c), as applicable, for the appropriate ϕ factor when the load combinations of IBC Section 1605.2, ~~ACI 318-14 Section 5.3~~ or ACI 318-11 Section 9.2, as applicable, are used.
- * ⁴The Power-Stud+ SD1 is considered a ductile steel element as defined by ~~ACI 318-14 2.3~~ or ACI 318-11 D.1, as applicable. Tabulated values for steel strength in tension are based on test results per ACI 355.2 and must be used for design.
- * ⁵For all design cases use $\psi_{c,N} = 1.0$. The appropriate effectiveness factor for cracked concrete (k_{cr}) or uncracked concrete (k_{uncr}) must be used.
- * ⁶For all design cases use $\psi_{c,p} = 1.0$. For the calculation of N_{pn} , see Section 4.1.4 of this report.
- * ⁷Pullout strength does not control design of indicated anchors. Do not calculate pullout strength for indicated anchor size and embedment.
- * ⁸Anchors are permitted to be used in lightweight concrete in accordance with Section 4.1.12 of this report.
- * ⁹For anchors in the topside of concrete-filled steel deck assemblies, see Figure 4.
- * ¹⁰Tabulated values for characteristic pullout strength in tension are for seismic applications and based on test results in accordance with ACI 355.2, Section 9.5.
- * ¹¹Values for $N_{p,deck}$ are for sand-lightweight concrete ($f'_{c,min} = 3,000$ psi) and additional lightweight concrete reduction factors need not be applied. In addition, evaluation for the concrete breakout capacity in accordance with ~~ACI 318-14 17.4.2~~ or ACI 318-11 D.5.2, as applicable, is not required for anchors installed in the deck soffit (flute).
- * ¹²The notation in brackets is for the 2006 IBC.

TABLE 3—SHEAR DESIGN INFORMATION FOR POWER-STUD+ SD1 ANCHOR IN CONCRETE
(For use with load combinations taken from ACI 318-14 Section 5.3 or ACI 318-11, Section 9.2)^{1,2}

Design Characteristic	Notation	Units	Nominal Anchor Diameter										
			1/8 inch	3/8 inch	1/2 inch	5/8 inch	3/4 inch	7/8 inch	1 inch	1 1/4 inch			
Anchor category	1, 2 or 3	-	1	1	1	1	1	1	1	1	1		
STEEL STRENGTH IN SHEAR⁴													
Minimum specified yield strength (threads)	f_{ya}	ksi (N/mm ²)	70.0 (482)	80.0 (552)	70.4 (485)	70.4 (485)	58 64.0 (441)	58.0 (400)	58.0 (400)	58.0 (400)			
Minimum specified ultimate strength (threads)	f_{uta}^{11}	ksi (N/mm ²)	88.0 (606)	100.0 (689)	88.0 (607)	88.0 (607)	75 80.0 (552)	75.0 (517)	75.0 (517)	75.0 (517)			
Effective tensile stress area (threads)	$A_{se, v} [A_{se}]^{12}$	in ² (mm ²)	0.0318 (20.5)	0.0775 (50.0)	0.1419 (91.5)	0.2260 (145.8)	0.3345 (212.4)	0.462 (293.4)	0.6060 (384.8)	0.669 (431.5)			
Steel strength in shear ⁵	V_{sa}^{11}	lb (kN)	925 (4.1)	2,990 ²¹²⁰ (13.3)	4,620 ³⁵²⁰ (20.6)	9,030 ⁴⁹⁰⁰ (40.2)	10,640 ⁶⁸⁶⁰ (47.3)	11,655 (52.8)	8,820 (39.2)	10,935 (48.6)	17,750 (79.0)		
Reduction factor for steel strength ³	ϕ	-	0.65										
CONCRETE BREAKOUT STRENGTH IN SHEAR^{6,7}													
Load bearing length of anchor (h_{ef} or $8d_a$, whichever is less)	l_e^{11}	in. (mm)	1.50 (38)	2.00 (51)	2.00 (51)	3.25 (83)	2.75 (70)	4.00 (102)	3.125 (79)	4.75 (114)	3.50 (88.9)	4.375 (111)	5.375 (137)
Nominal anchor diameter	$d_a [d_n]^{12}$	in. (mm)	0.250 (6.4)	0.375 (9.5)	0.500 (12.7)	0.625 (15.9)	0.750 (19.1)	0.875 (22.2)	1.000 (25.4)	1.25 (31.8)			
Reduction factor for concrete breakout ³	ϕ	-	0.70 (Condition B)										
PRYOUT STRENGTH IN SHEAR^{6,7}													
Coefficient for prout strength (1.0 for $h_{ef} < 2.5$ in., 2.0 for $h_{ef} \geq 2.5$ in.)	k_{cp}	-	1.0	1.0	1.0	2.0	2.0	2.0	2.0	2.0	2.0	2.0	2.0
Effective embedment	h_{ef}	in. (mm)	1.50 (38)	2.00 (51)	2.00 (51)	3.25 (83)	2.75 (70)	4.00 (102)	3.125 (79)	4.75 (114)	3.50 (88.9)	4.375 (111)	5.375 (137)
Reduction factor for prout strength ³	ϕ	-	0.70 (Condition B)										
STEEL STRENGTH IN SHEAR FOR SEISMIC APPLICATIONS													
Steel strength in shear, seismic ⁸	$V_{sa, eq}^{11}$	lb (kN)	Not Applicable	2,440 (10.9)	3,960 (17.6)	6,000 (26.7)	8,580 ⁵⁶⁹⁵ (38.2)	9,635 (42.9)	8,820 (39.2)	9,845 (43.8)	17,750 (79.0)		
Reduction factor for steel strength in shear for seismic ³	ϕ	-	0.65										
STEEL STRENGTH IN SHEAR FOR ANCHORS INSTALLED THROUGH THE SOFFIT OF SAND-LIGHTWEIGHT AND NORMAL-WEIGHT CONCRETE OVER STEEL DECK^{9,10}													
Steel strength in shear, concrete over steel deck (Figure 5A) ⁹	$V_{sa, deck}$	lb (kN)	Not Applicable	2,120 (9.4)	2,290 (10.2)	3,710 (16.5)	5,505 (24.5)	Not Applicable	Not Applicable	Not Applicable	Not Applicable		
Steel strength in shear, concrete over steel deck, seismic (Figure 5A) ⁹	$V_{sa, deck, eq}$	lb (kN)		2,120 (9.4)	2,290 (10.2)	3,710 (16.5)	4,570 (20.3)						
Steel strength in shear, concrete over steel deck (Figure 5B)⁹	$V_{sa, deck}$	lb (kN)		2,120 (9.4)	2,785 (12.4)	Not Applicable	Not Applicable						
Steel strength in shear, concrete over steel deck, seismic (Figure 5B)⁹	$V_{sa, deck, eq}$	lb (kN)		2,120 (9.4)	2,785 (12.4)	Not Applicable	Not Applicable						
Reduction factor for steel strength in shear, steel deck ³	ϕ	-	0.65										

For SI: 1 inch = 25.4 mm; 1 ksi = 6.894 N/mm²; 1 lbf = 0.0044 kN.

* ¹The data in this table is intended to be used with the design provisions of ACI 318-14 Chapter 17 or ACI 318-11 Appendix D, as applicable; for anchors resisting seismic load combinations the additional requirements of ACI 318-14 17.2.3 or ACI 318-11 D.3.3, as applicable, must apply.
²Installation must comply with published instructions and details.
³All values of ϕ were determined from the load combinations of IBC Section 1605.2, ACI 318-14 Section 5.3 or ACI 318-11 Section 9.2. If the load combinations of ACI 318-11 Appendix C are used, then the appropriate value of ϕ must be determined in accordance with ACI 318-11 D.4.4. For reinforcement that meets ACI 318-14 Chapter 17 or ACI 318-11 Appendix D requirements for Condition A, see ACI 318-14 17.3.3(c) or ACI 318-11 D.4.3(c), as applicable, for the appropriate ϕ factor when the load combinations of IBC Section 1605.2, ACI 318-14 Section 5.3 or ACI 318-11 Section 9.2, as applicable, are used.
⁴The Power-Stud+ SD1 is considered a ductile steel element as defined by ACI 318-14 2.3 or ACI 318-11 D.1, as applicable.
⁵Tabulated values for steel strength in shear must be used for design. These tabulated values are lower than calculated results using equation D-20 in ACI 318 (-08, -05).
⁶Anchors are permitted to be used in lightweight concrete in accordance with Section 4.1.12 of this report.
⁷For anchors in the topside of concrete-filled steel deck assemblies, see Figure 4.
⁸Tabulated values for steel strength in shear are for seismic applications and based on test results in accordance with ACI 355.2, Section 9.6.
⁹Tabulated values for $V_{sa, deck}$ and $V_{sa, deck, eq}$ are for sand-lightweight concrete ($f'_{c, min} = 3,000$ psi); additional lightweight concrete reduction factors need not be applied. In addition, evaluation for the concrete breakout capacity in accordance with ACI 318-14 17.5.2 or ACI 318-11 D.6.2, as applicable, and the prout capacity in accordance with ACI 318-14 17.5.3 or ACI 318-11 D.6.3, as applicable, are not required for anchors installed in the deck soffit (flute).
¹⁰Shear loads for anchors installed through steel deck into concrete may be applied in any direction.
¹¹The notation in brackets is for the 2006 IBC.

TABLE 4—EXAMPLE ALLOWABLE STRESS DESIGN VALUES FOR ILLUSTRATIVE PURPOSES^{1,2,3,4,5,6,7,8,9}

Anchor Diameter (inches)	Nominal Embedment Depth (inches)	Effective Embedment (inches)	Allowable Tension Load (pounds)
1/4	1 3/4	1.50	970
3/8	2 3/8	2.00	1,260
1/2	2 1/2	2.00	1,415
	3 3/4	3.25	2,425
5/8	3 3/8	2.75	2,405
	4 5/8	4.00	4,215
3/4	4	3.125	2,910
	5 5/8	4.75	5,455
7/8	4 1/2	3.50	3,450
1	5 1/2	4.375	4,820
1 1/4	6 1/2	5.375	7,385

For SI: 1 inch = 25.4 mm, 1 lbf = 4.45 N.

¹Single anchor with static tension load only.

²Concrete determined to remain uncracked for the life of the anchorage.

* ³Load combinations are taken from ~~ACI 318-14 Section 5.3~~ or ACI 318-11 Section 9.2, as applicable (no seismic loading).

⁴30% dead load and 70% live load, controlling load combination 1.2D + 1.6L.

⁵Calculation of weighted average for conversion factor $\alpha = 1.2(0.3) + 1.6(0.7) = 1.48$.

⁶ $f'_c = 2,500$ psi (normal weight concrete).

⁷ $C_{a1} = C_{a2} \geq C_{ac}$.

⁸ $h \geq h_{min}$.

⁹Values are for Condition B where supplementary reinforcement in accordance with ACI 318-14 17.3.3 or ACI 318-11 D.4.3, as applicable, is not provided.

Given: Calculate the factored resistance strength, ϕN_n , and the allowable stress design value, $T_{allowable,ASD}$, for a 3/8-inch-diameter Power-Stud+ SD1 anchor assuming the given conditions in Table 4.			
* Calculation in accordance with ACI 318-14 , ACI 318-11 Appendix D and this report:	318-14 Ref.	318-11 Ref.	Report Ref.
Step 1. Calculate steel strength of a single anchor in tension: $\phi N_{sa} = (0.75)(5,455) = 4,091 \text{ lbs.}$	17.4.1.2	D.5.1.2	Table 2
Step 2. Calculate concrete breakout strength of a single anchor in tension: $\phi N_{cb} = \phi \frac{A_{Nc}}{A_{Nc0}} \psi_{ed,N} \psi_{c,N} \psi_{cp,N} N_b$ $N_b = k_c \lambda_\alpha \sqrt{f'_c} (h_{ef})^{1.5}$ $N_b = (24)(1.0) \sqrt{2,500} (2.0)^{1.5} = 3,394 \text{ lbs.}$ $\phi N_{cb} = (0.65) \frac{(36.0)}{(36.0)} (1.0)(1.0)(1.0)(3,394) = 2,206 \text{ lbs.}$	17.4.2.1	D.5.2.1	Table 2
Step 3. Calculate pullout strength of a single anchor: $\phi N_{pn} = \phi N_{p,uncr} \psi_{c,P} \left(\frac{f'_{c,act}}{2,500} \right)^n$ $\phi N_{pn} = (0.65)(2,865)(1.0)(1.0)^{0.5} = 1,862 \text{ lbs.}$	17.4.3.2	D.5.3.2	Table 2
Step 4. Determine controlling factored resistance strength in tension: $\phi N_n = \min[\phi N_{sa}, \phi N_{cb}, \phi N_{pn}] = \phi N_{pn} = 1,862 \text{ lbs.}$	17.3.1.1	D.4.1.1	-
Step 5. Calculate allowable stress design conversion factor for loading condition: Controlling load combination: 1.2D + 1.6L $\alpha = 1.2(30\%) + 1.6(70\%) = 1.48$	5.3	9.2	-
Step 6. Calculate the converted allowable stress design value: $T_{allowable,ASD} = \frac{\phi N_n}{\alpha} = \frac{1,862}{1.48} = 1,258 \text{ lbs.}$	-	-	Section 4.2

FIGURE 7—EXAMPLE STRENGTH DESIGN CALCULATION INCLUDING ASD CONVERSION FOR ILLUSTRATIVE PURPOSES

Given:

Two 1/2" Power-Stud+ SD1 anchors

Concrete compressive strength:

$(f'_c) = 4,000$ psi

No supplemental reinforcement:

(Condition B per ACI 318-14 17.3.3 c or ACI 318-11 D.4.3 c)

Assume cracked concrete, no seismic, no loading eccentricity and a rigid plate

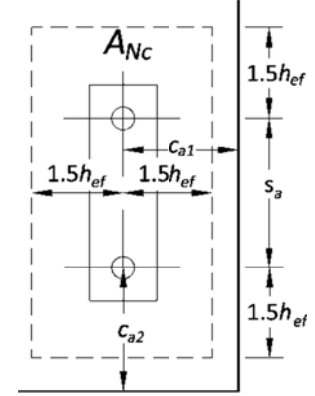
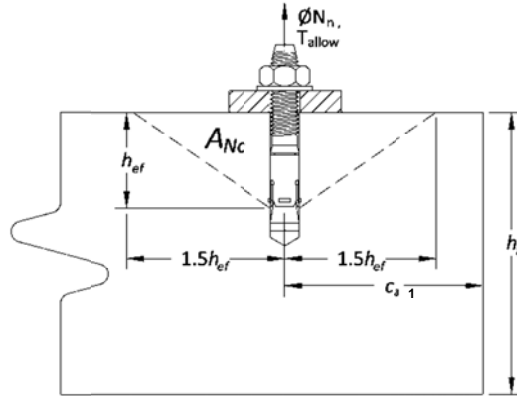
$h_a = 4.0$ in.

$h_{ef} = 2.0$ in.

$s_a = 4.5$ in.

$c_{a1} = c_{a,min} = 6.0$ in.

$c_{a2} \geq 1.5c_{a1}$



Calculate the factored resistance design strength in tension and equivalent allowable stress design load for the configuration.

Calculation in accordance with ACI 318-14, ACI 318-11 and this report:	318-14 Ref.	318-11 Ref.	Report Ref.
Step 1. Verify minimum member thickness, spacing and edge distance: $h_a = 4.0$ in. $\geq h_{min} = 4.0$ in. \therefore OK $s_a = 4.5$ in. $\geq s_{min} = 4.5$ in. \therefore OK $c_{a,min} = 6.0$ in. $\geq c_{min} = 6.0$ in. \therefore OK	17.7	D.8	Table 1
Step 2. Calculate steel strength of anchor group in tension: $N_{sag} = n \cdot N_{sa} = 2 \cdot 9,080$ lbs. = 18,160 lbs. Calculate steel capacity: $\phi N_{sag} = 0.75 \cdot 18,160$ lbs. = 13,620 lbs.	17.4.1.2	D.5.1.2	§4.1.2 Table 2
Step 3. Calculate concrete breakout strength of anchor group in tension: $N_{cbg} = \frac{A_{Nc}}{A_{Nc0}} \psi_{ec,N} \psi_{ed,N} \psi_{c,N} \psi_{cp,N} N_b$	17.4.2.1 (b)	D.5.2.1 (b)	§4.1.3
Step 3a. Calculate A_{Nc0} and A_{Nc} $A_{Nc0} = 9h_{ef}^2 = 9 \cdot (2.0)^2 = \mathbf{36.0}$ in. ² $A_{Nc} = (3.0 h_{ef}) \cdot (3.0 h_{ef} + s_a) = (3.0 \cdot 2.0) \cdot ((3.0 \cdot 2.0) + 4.5) = \mathbf{63.0}$ in. ² $\therefore A_{Nc} = \mathbf{63.0}$ in. ²	17.4.2.1 (b)	D.5.2.1 (b)	Table 1
Step 3b. Calculate $\psi_{ec,N} = \frac{1}{(1 + \frac{2e'_N}{3h_{ef}})} \leq 1.0$; $e'_N = 0 \therefore \psi_{ec,N} = \mathbf{1.0}$	17.4.2.4	D.5.2.4	-
Step 3c. Calculate $\psi_{ed,N} = 1.0$ if $c_{a,min} \geq 1.5h_{ef}$; $\psi_{ed,N} = 0.7 + 0.3 \frac{c_{a,min}}{1.5h_{ef}}$ if $c_{a,min} < 1.5h_{ef}$ $c_{a,min} = 6.0$ in. $\geq 1.5h_{ef} = 3.0$ in. $\therefore \psi_{ed,N} = \mathbf{1.0}$	17.4.2.5	D.5.2.5	Table 1
Step 3d. Calculate $\psi_{c,N} = \mathbf{1.0}$	17.4.2.6	D.5.2.6	Table 2
Step 3e. Calculate $\psi_{cp,N} = \mathbf{1.0}$ (cracked concrete)	17.4.2.7	D.5.2.7	-
Step 3f. Calculate $N_b = k_{cr} \lambda_a \sqrt{f'_c} h_{ef}^{1.5} = 17 (1.0) \sqrt{4,000} \cdot 2.0^{1.5} = \mathbf{3,041}$ lbs.	17.4.2.2	D.5.2.2	Table 2
Step 3g. Calculate concrete breakout strength of anchor group in tension: $N_{cbg} = (63.0/36.0) \cdot 1.0 \cdot 1.0 \cdot 1.0 \cdot 1.0 \cdot 3,041 = 5,321$ lbs. Calculate concrete breakout capacity = $\phi N_{cbg} = 0.65 \cdot 5,321 = \mathbf{3,459}$ lbs.	17.4.2.1 (b)	D.5.2.1 (b)	§4.1.3
Step 4. Calculate nominal pullout strength of a single anchor in tension: $N_{pn} = \psi_{c,p} \cdot N_{pn,f_c}$	17.4.3.1	D.5.3.1	§4.1.4 Table 2
Step 4a. Calculate $\psi_{c,p} = \mathbf{1.0}$ (cracked concrete)	17.4.3.6	D.5.3.6	§4.1.10 Table 2
Step 4b. Calculate $N_{pn,f_c} = N_{p,cr} \left(\frac{f'_c}{2500} \right)^{0.5}$ = per Table 2 of the report, pullout does not control; Do not calculate pullout capacity	17.4.3.2	D.5.3.2	§4.1.4 Table 2
Step 5. Determine controlling resistance strength of the anchor group in tension: $\phi N_n = \min \phi N_{sag}, \phi N_{cbg}, n \phi N_{pn} = \phi N_{cbg} = \mathbf{3,459}$ lbs.	17.3.1.1	D.4.1.1	§4.1.1
Step 6. Calculate allowable stress design conversion factor for loading condition: Assume controlling load combination: 1.2D + 1.6L ; 50% Dead Load, 50% Live Load $\alpha = 1.2(50\%) + 1.6(50\%) = \mathbf{1.40}$	5.3	9.2	§4.2.1
Step 7. Calculate allowable stress design value: $T_{allowable,ASD} = \frac{\phi N_n}{\alpha} = \frac{3,459}{1.40} = \mathbf{2,470}$ lbs.	5.3	9.2	§4.2.1

FIGURE 8—EXAMPLE STRENGTH DESIGN CALCULATION FOR TENSION CAPACITY

<p>Given: Two 1/2" Power-Stud+ SD1 anchors Concrete compressive strength: $(f'_c) = 4,000$ psi No supplemental reinforcement: (Condition B per ACI 318-14 17.3.3(c) or ACI 318-11 D.4.3 (c) Assume cracked concrete, no seismic, no loading eccentricity and a rigid plate</p> <p>$h_o = 4.0$ in. $h_{ef} = 2.0$ in. $s_o = 4.5$ in. $c_{o1} = c_{o,min} = 6.0$ in. $c_{o2} \geq 1.5c_{o1}$</p>			
<p align="center">Calculate the factored resistance design strength in shear and equivalent allowable stress design load for the configuration.</p>			
<p>Calculation in accordance with ACI 318-14, ACI 318-11 and this report:</p>	<p>318-14 Ref.</p>	<p>318-11 Ref.</p>	<p>Report Ref.</p>
<p>Step 1. Verify minimum member thickness, spacing and edge distance: $h_o = 4.0$ in. $\geq h_{min} = 4.0$ in. \therefore OK $s_o = 4.5$ in. $\geq s_{min} = 4.5$ in. \therefore OK $c_{o,min} = 6.0$ in. $\geq c_{min} = 6.0$ in. \therefore OK</p>	<p align="center">17.7</p>	<p align="center">D.8</p>	<p align="center">Table 1</p>
<p>Step 2. Calculate steel strength of anchor group in shear: $V_{sog} = n \cdot V_{so} = 2 \cdot 4,620$ lbs. = 9,240 lbs. Calculate steel capacity: $\phi V_{sog} = 0.65 \cdot 9,240$ lbs. = 6,006 lbs.</p>	<p align="center">17.5.1.2</p>	<p align="center">D.6.1.2</p>	<p align="center">§4.1.5 Table 3</p>
<p>Step 3. Calculate concrete breakout strength of anchor group in shear: $V_{cbg} = \frac{A_{Vc}}{A_{Vc0}} \psi_{ec,V} \psi_{ed,V} \psi_{c,V} \psi_{h,V} V_b$</p>	<p align="center">17.5.2.1 (b)</p>	<p align="center">D.6.2.1 (b)</p>	<p align="center">§4.1.6</p>
<p>Step 3a. Calculate A_{Vc0} and A_{Vc} $A_{Vc0} = 4.5 (c_{o1})^2 = 4.5 \cdot (6.0)^2 = \mathbf{162.0}$ in.² $A_{Vc} = (h_o) \cdot (3 c_{o1} + s_o) = (4.0) \cdot ((3 \cdot 6.0) + 4.5) = \mathbf{90.0}$ in.²</p>	<p align="center">17.5.2.1</p>	<p align="center">D.6.2.1</p>	<p align="center">Table 1</p>
<p>Step 3b. Calculate $\psi_{ec,V} = \frac{1}{(1 + \frac{2e'_N}{3c_{o1}})} \leq 1.0$; $e'_V = 0 \therefore \psi_{ec,V} = \mathbf{1.0}$</p>	<p align="center">17.5.2.5</p>	<p align="center">D.6.2.5</p>	<p align="center">-</p>
<p>Step 3c. Calculate $\psi_{ed,V} = 1.0$ if $c_{o2} \geq 1.5c_{o1}$; $\psi_{ed,V} = 0.7 + 0.3 \frac{c_{o2}}{1.5c_{o1}}$ if $c_{o2} < 1.5c_{o1}$ $c_{o2} \geq 1.5 c_{o1} \therefore \psi_{ed,V} = \mathbf{1.0}$</p>	<p align="center">17.5.2.6</p>	<p align="center">D.6.2.6</p>	<p align="center">Table 1</p>
<p>Step 3d. Calculate $\psi_{c,V} = \mathbf{1.0}$ (cracked concrete, no supplemental or edge reinforcement)</p>	<p align="center">17.5.2.7</p>	<p align="center">D.6.2.7</p>	<p align="center">-</p>
<p>Step 3e. Calculate $\psi_{h,V} = \sqrt{\frac{1.5c_{o1}}{h_o}}$; for members where $h_o < 1.5c_{o1}$ $h_o = 4.0 < 1.5c_{o1} = 9.0 \therefore \psi_{h,V} = \sqrt{\frac{9.0}{4.0}} = \mathbf{1.5}$</p>	<p align="center">17.5.2.8</p>	<p align="center">D.6.2.8</p>	<p align="center">-</p>
<p>Step 3f. Calculate $V_b = \left(7 \left(\frac{l_e}{d_a}\right)^{0.2} \sqrt{d_a}\right) \lambda_a \sqrt{f'_c} (c_{o1})^{1.5} = 7 \left(\frac{2.0}{0.5}\right)^{0.2} \sqrt{0.5} (1.0) \sqrt{4000} (6.0)^{1.5}$ = 6,071 lbs.</p>	<p align="center">17.5.2.2</p>	<p align="center">D.6.2.2</p>	<p align="center">Table 2</p>
<p>Step 3g. Calculate concrete breakout strength of anchor group in shear: $V_{cbg} = (90.0/162.0) \cdot 1.0 \cdot 1.0 \cdot 1.0 \cdot 1.5 \cdot 6,071 = 5,059$ lbs. Calculate concrete breakout capacity = $\phi V_{cbg} = 0.70 \cdot 4,641 = \mathbf{3,542}$ lbs.</p>	<p align="center">17.5.2.1 (b)</p>	<p align="center">D.6.2.1 (b)</p>	<p align="center">§4.1.6</p>
<p>Step 4. Calculate nominal pryout strength of an anchor group in shear: $V_{cpg} = k_{cp} N_{cbg} = 1.0 \cdot 5,321$ lbs = 5,321 lbs. Calculate pryout capacity: $\phi V_{cpg} = 0.70 \cdot 5,321$ lbs. = 3,724 lbs.</p>	<p align="center">17.5.3.1 (b)</p>	<p align="center">D.6.3.1 (b)</p>	<p align="center">§4.1.7 Table 3</p>
<p>Step 5. Determine controlling resistance strength in shear: $\phi V_n = \min \{ \phi V_{sog}, \phi V_{cbg}, \phi V_{cpg} \} = \phi V_{cbg} = \mathbf{3,542}$ lbs.</p>	<p align="center">17.3.1.1</p>	<p align="center">D.4.1.1</p>	<p align="center">§4.1.1</p>
<p>Step 6. Calculate allowable stress design conversion factor for loading condition: Assume controlling load combination: 1.2D + 1.6L; 50% Dead Load, 50% Live Load $\alpha = 1.2(30\%) + 1.6(70\%) = \mathbf{1.40}$</p>	<p align="center">5.3</p>	<p align="center">9.2</p>	<p align="center">§4.2.1</p>
<p>Step 7. Calculate allowable stress design value: $V_{allowable,ASD} = \frac{\phi V_n}{\alpha} = \frac{3,542}{1.40} = \mathbf{2,530}$ lbs.</p>	<p align="center">5.3</p>	<p align="center">9.2</p>	<p align="center">§4.2.1</p>

FIGURE 9—EXAMPLE STRENGTH DESIGN CALCULATION FOR SHEAR CAPACITY