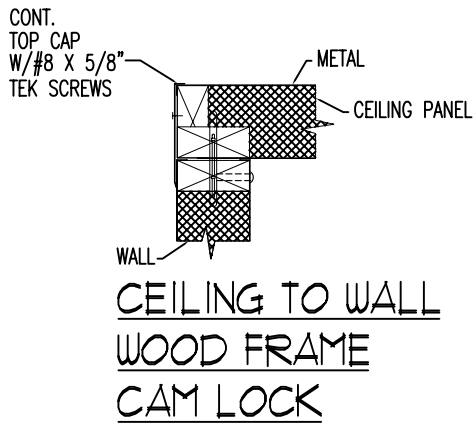
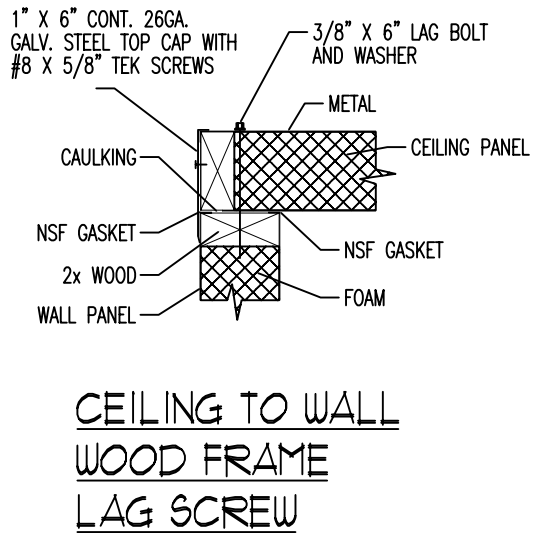
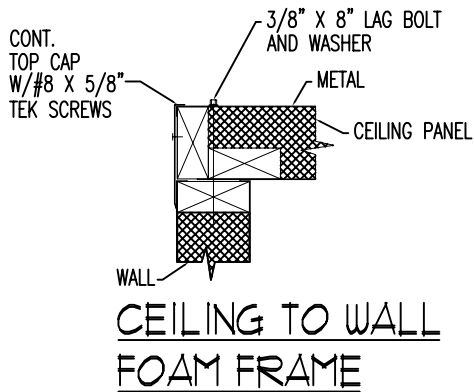
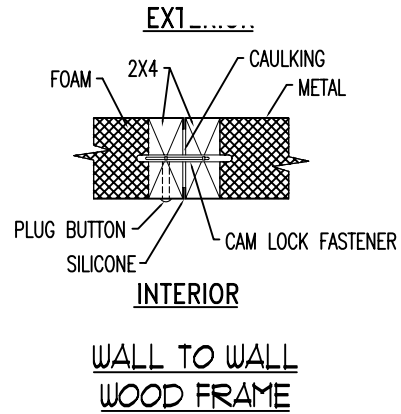
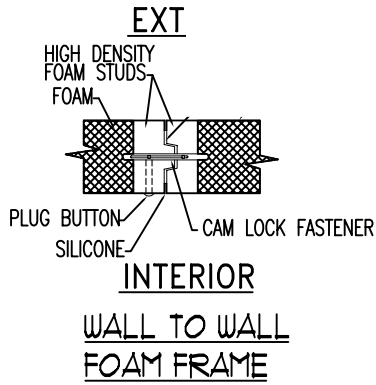
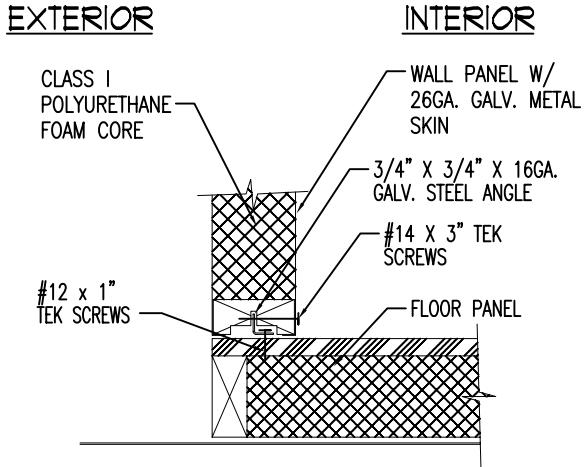


ATTACHMENT 1 PANEL CONNECTIONS



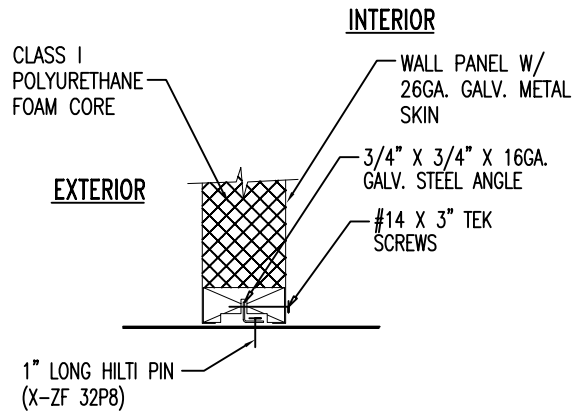
ATTACHMENT 2

WALL TO FLOOR CONNECTIONS



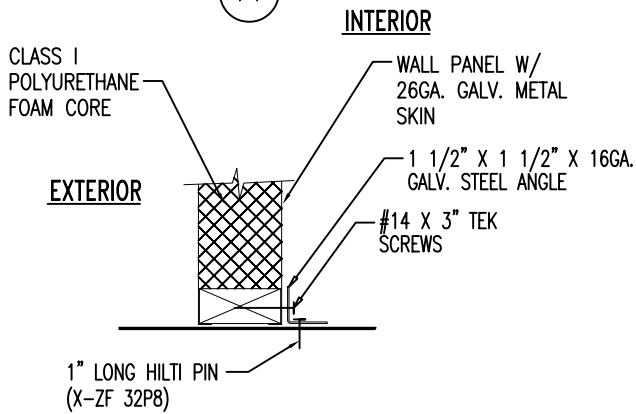
WALL TO PRE-FAB FLOOR

(A)



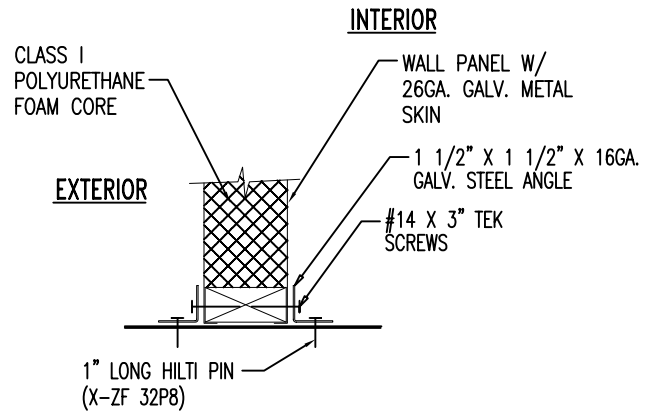
WALL TO CONCRETE FLOOR

(B)



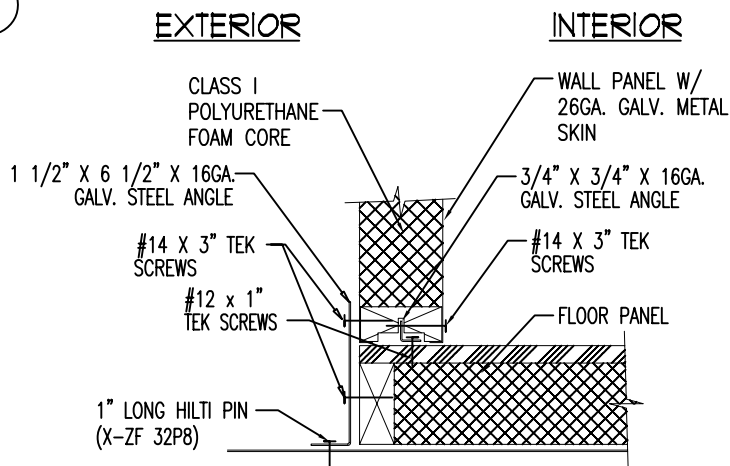
WALL TO CONCRETE FLOOR

(C)



WALL TO CONCRETE FLOOR

(D)



WALL TO PRE-FAB FLOOR

(E)