

NOTES:

- 1) FACTORY CAULKING OF PANEL JOINTS NOT AVAILABLE WITH SILICONE SEALANT.
- 2) JOINT SEALANT NOT REQUIRED FOR FIRE RATING.

LARR #26018

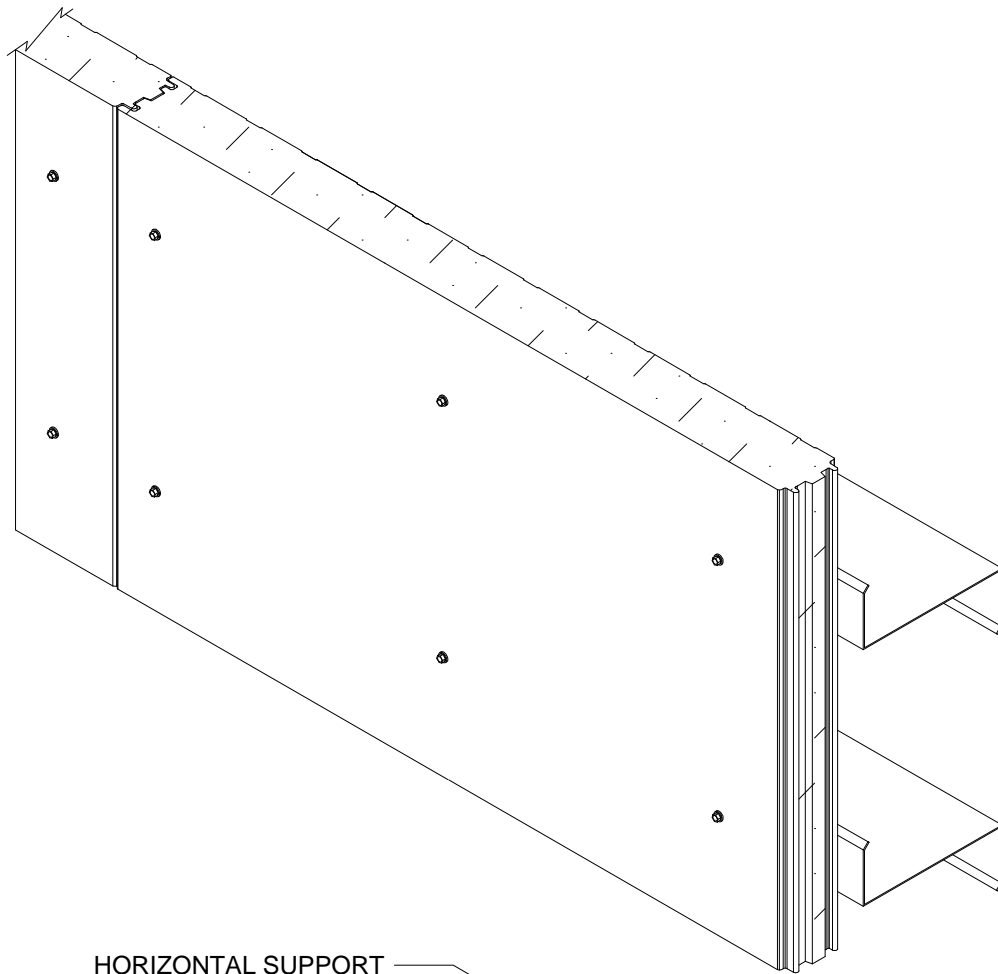
EXPANDED JOINT DETAIL

DETAIL #:

DATE: 10/09/15



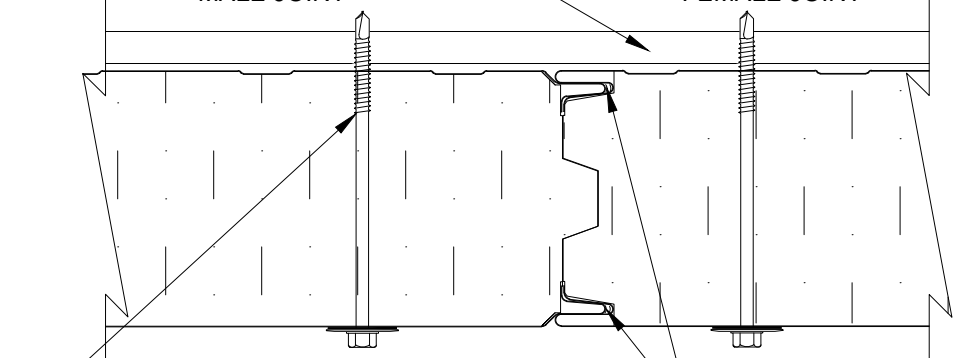
www.kingspanpanels.us
www.kingspanpanels.ca



HORIZONTAL SUPPORT

MALE JOINT

FEMALE JOINT



(3) 1/4" - 14 THROUGH FASTENERS
W/ 1/8" BONDED WASHER PER
PANEL PER SUPPORT
(AS REQUIRED FOR WIND LOAD)

CONTINUOUS
SILICONE SEALANT

WALL PANEL INSTALLATION DIRECTION →

LARR #26018

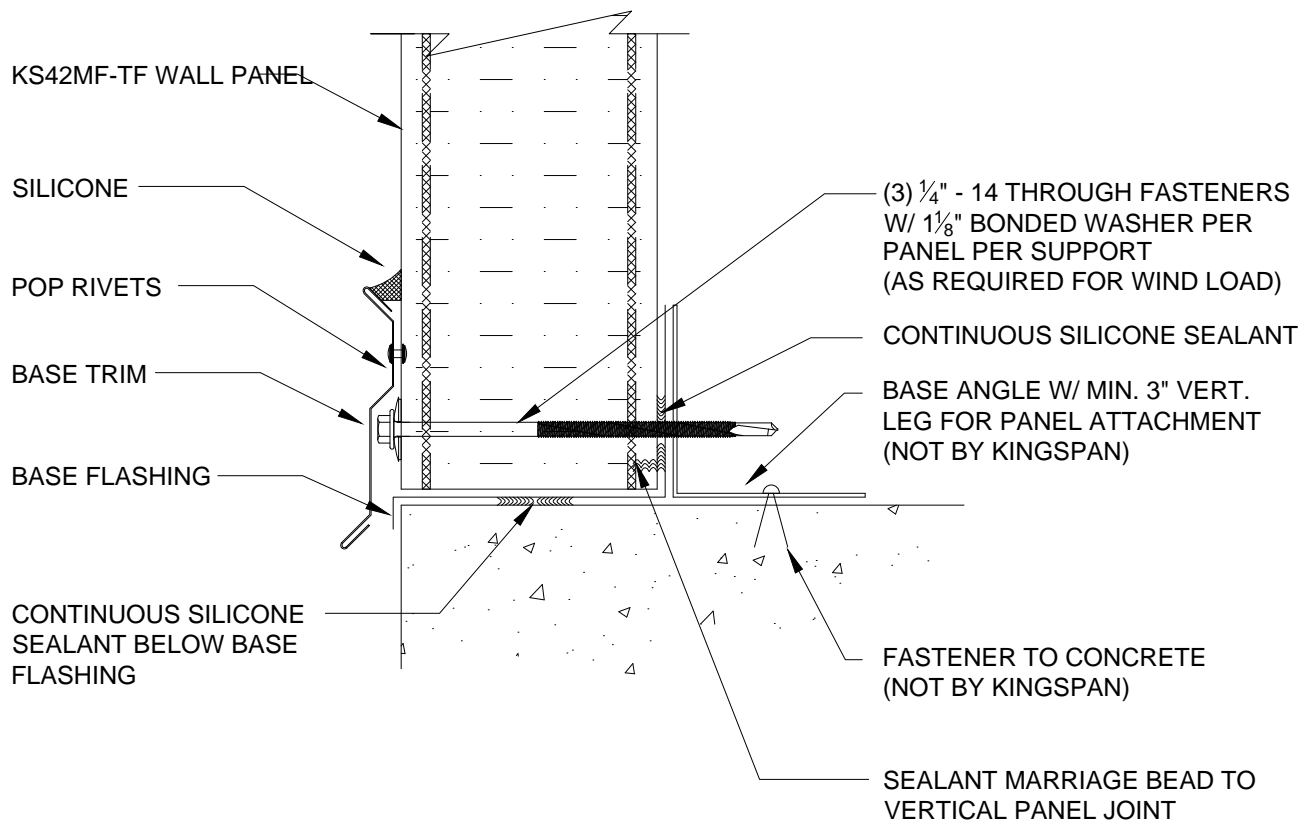
JOINT DETAIL

DETAIL #:

DATE: 10/09/15



www.kingspanpanels.us
www.kingspanpanels.ca



NOTE: SEE DETAIL CI-TL-01-KS42 MF AND CI-TL-02-KS42 MF FOR TYPICAL TRIM LAP INSTRUCTIONS

LARR #26018

BASE DETAIL

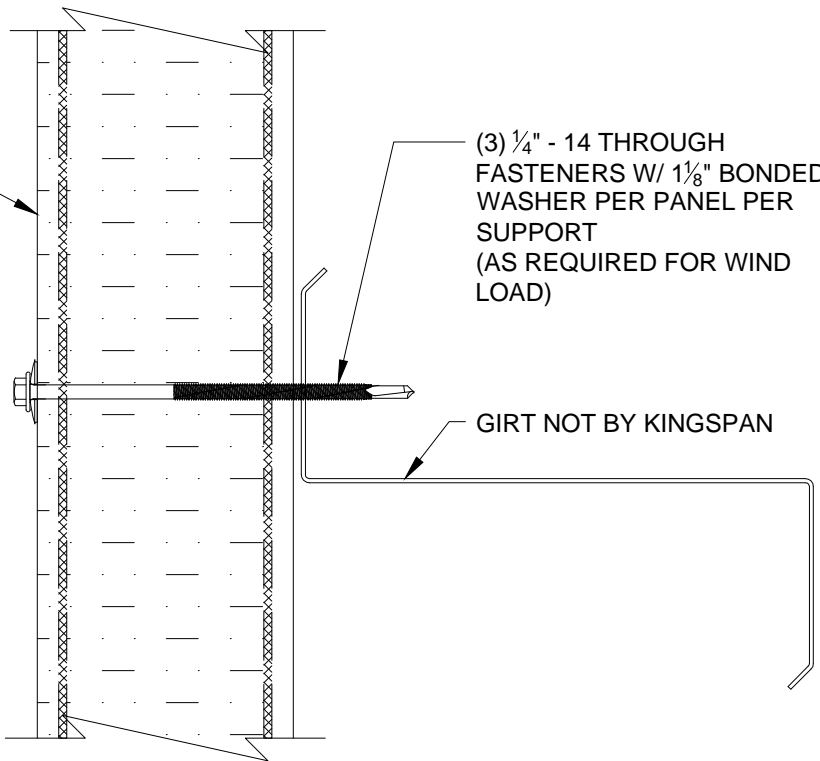
DETAIL #:

DATE: 10/09/15



www.kingspanpanels.us
www.kingspanpanels.ca

KS42MF-TF WALL PANEL



LARR #26018

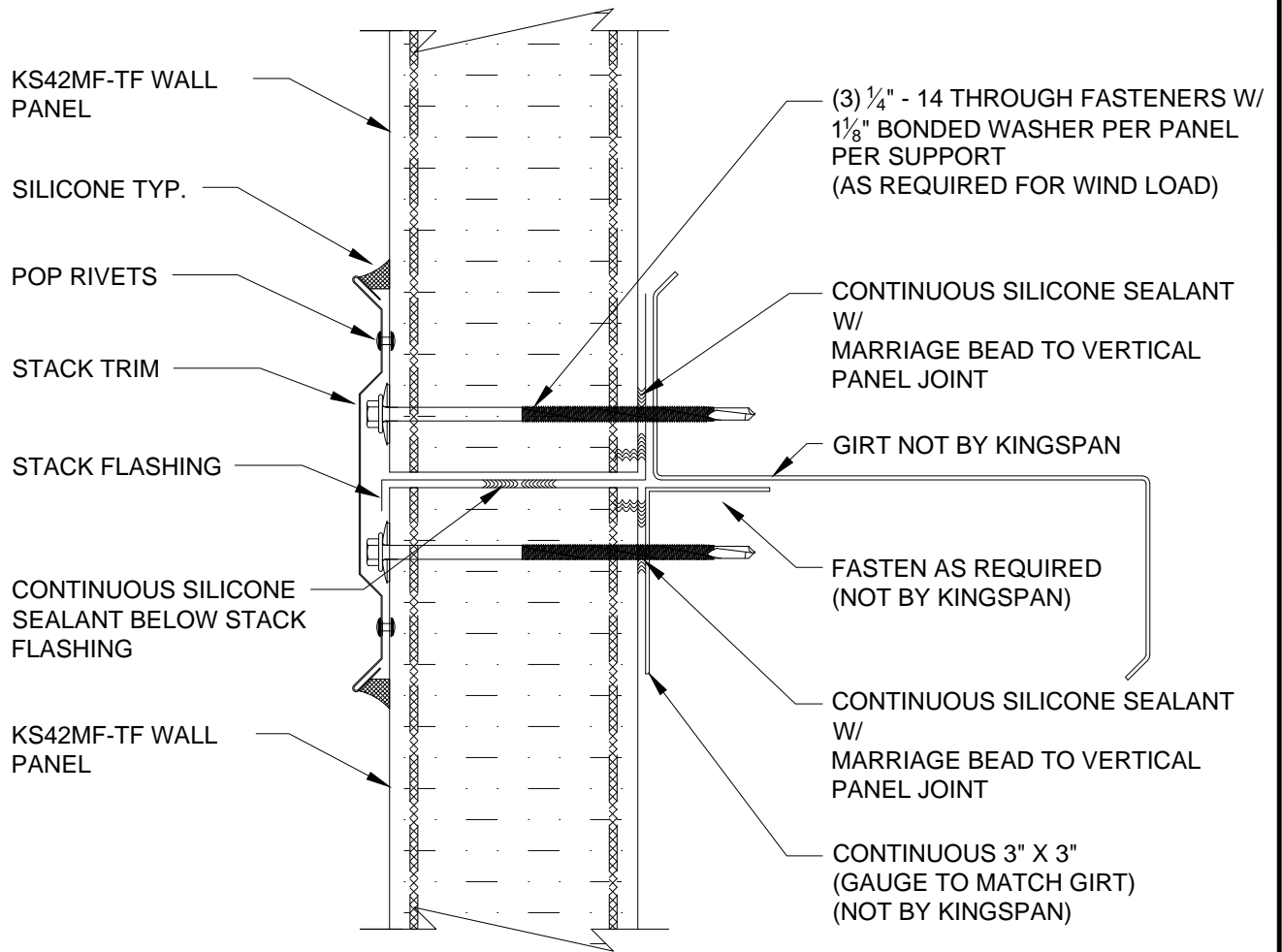
INTERMEDIATE
FASTENING

DETAIL #:

DATE: 10/09/15


Kingspan
Insulated Panels

www.kingspanpanels.us
www.kingspanpanels.ca



LARR #26018

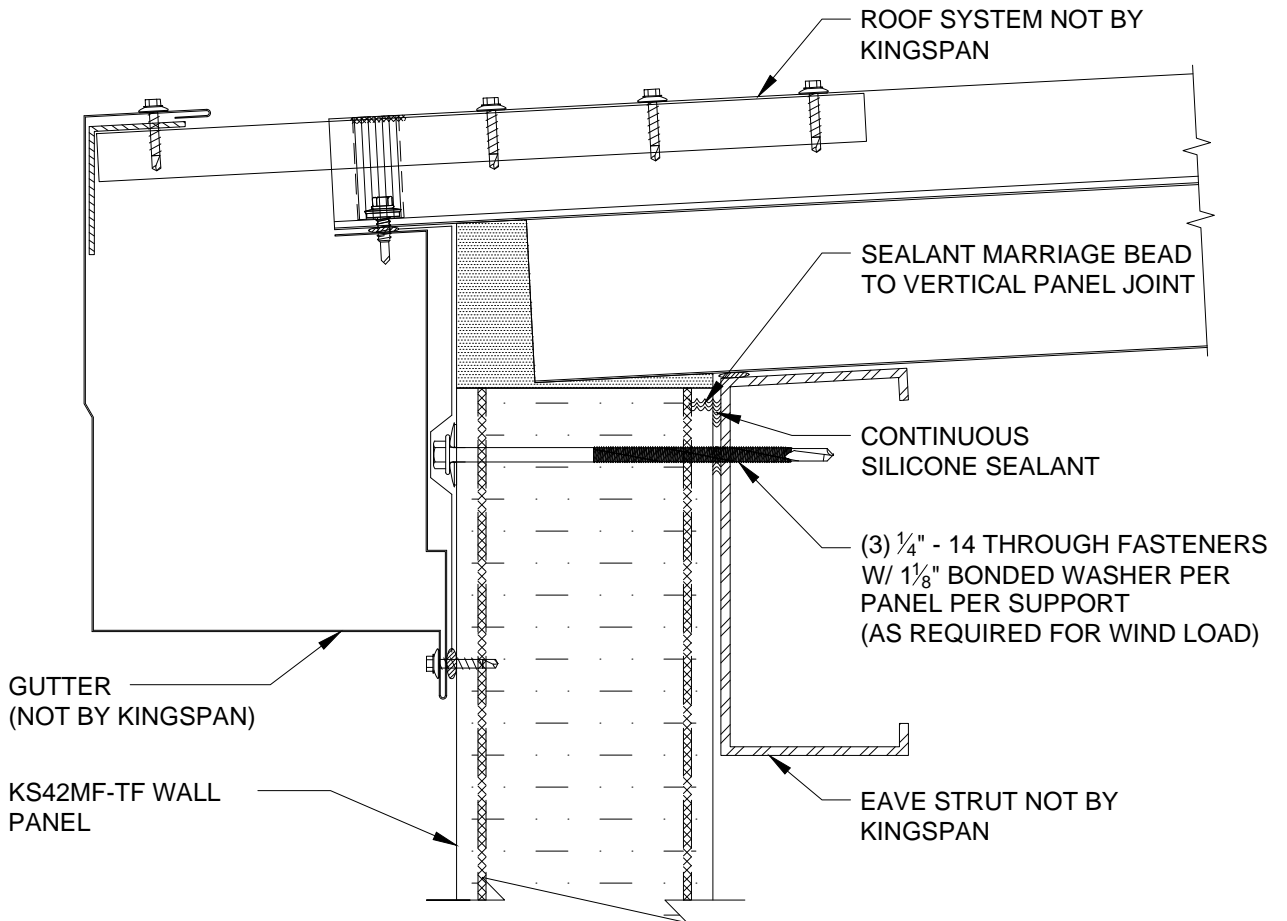
STACK JOINT DETAIL

DETAIL #:

DATE: 10/09/15



www.kingspanpanels.us
www.kingspanpanels.ca



LARR #26018

LOW EAVE DETAIL
W/ GUTTER

DETAIL #:

DATE: 10/09/15



Insulated Panels
www.kingspanpanels.us
www.kingspanpanels.ca

KS42MF-TF WALL
PANEL

POP RIVETS

OUTER CORNER TRIM

(3) 1/4" - 14 THROUGH
FASTENERS W/ 1/8" BONDED
WASHER PER PANEL PER
SUPPORT
(AS REQUIRED FOR WIND LOAD)

BLUESKIN MEMBRANE

MINERAL WOOL INSULATION

STEEL NOT BY
KINGSPAN

GIRT CLIP NOT BY
KINGSPAN

CONTINUOUS
SILICONE SEALANT

INNER CORNER
TRIM E1

CLADDING SYSTEM
NOT BY KINGSPAN

LARR #26018

PLAN DETAIL CORNER

DETAIL #:

DATE: 10/09/15



Insulated Panels
www.kingspanpanels.us
www.kingspanpanels.ca

MINERAL WOOL INSULATION

BLUESKIN MEMBRANE

OUTER CORNER TRIM E2

INNER CORNER TRIM

(3) 1/4" - 14 THROUGH
FASTENERS W/ 1/8" BONDED
WASHER PER PANEL PER
SUPPORT
(AS REQUIRED FOR WIND LOAD)

POP RIVETS

KS42MF-TF WALL
PANEL

STEEL NOT BY KINGSPAN

LARR #26018

PLAN DETAIL CORNER

DETAIL #:

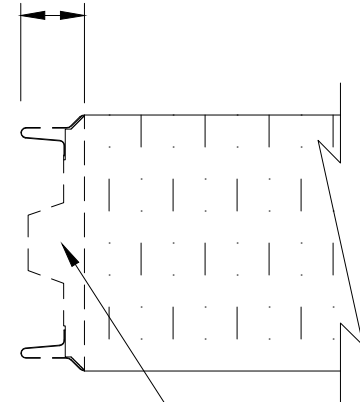
DATE: 10/09/15



Insulated Panels
www.kingspanpanels.us
www.kingspanpanels.ca

WILL VARY WITH
FIELD CONDITION

WILL VARY WITH
FIELD CONDITION



FIELD CUT

3/4" PHIL. PAN HEAD

CONTINUOUS
SILICONE SEALANT

OUTSIDE CORNER TRIM

FILL ALL VOIDS WITH
MINERAL WOOL INSULATION

CONTINUOUS
SILICONE SEALANT

HORIZONTAL SUPPORT

SILICONE SEALANT APPLIED
AT FASTENER LOCATIONS

POP RIVETS

INSIDE CORNER TRIM

(3) 1/4" - 14 THROUGH FASTENERS
W/ 1/8" BONDED WASHER PER
PANEL PER SUPPORT
(AS REQUIRED FOR WIND LOAD)

LARR #26018

INSIDE CORNER DETAIL

DETAIL #:

DATE: 10/09/15



Kingspan
Insulated Panels
www.kingspanpanels.us
www.kingspanpanels.ca

WILL VARY WITH
FIELD CONDITION

WILL VARY WITH
FIELD CONDITION

FIELD CUT

CONTINUOUS
SILICONE SEALANT

OUTSIDE CORNER TRIM

FILL ALL VOIDS WITH
MINERAL WOOL INSULATION

(3) 1/4" - 14 THROUGH
FASTENERS W/ 1/8" BONDED
WASHER PER PANEL PER
SUPPORT
(AS REQUIRED FOR WIND
LOAD)

POP RIVETS

3/4" PHIL. PAN HEAD

ATTACHMENT CLIP
(BY OTHERS)

INSIDE CORNER TRIM

CONTINUOUS
SILICONE SEALANT

HORIZONTAL SUPPORT

LARR #26018

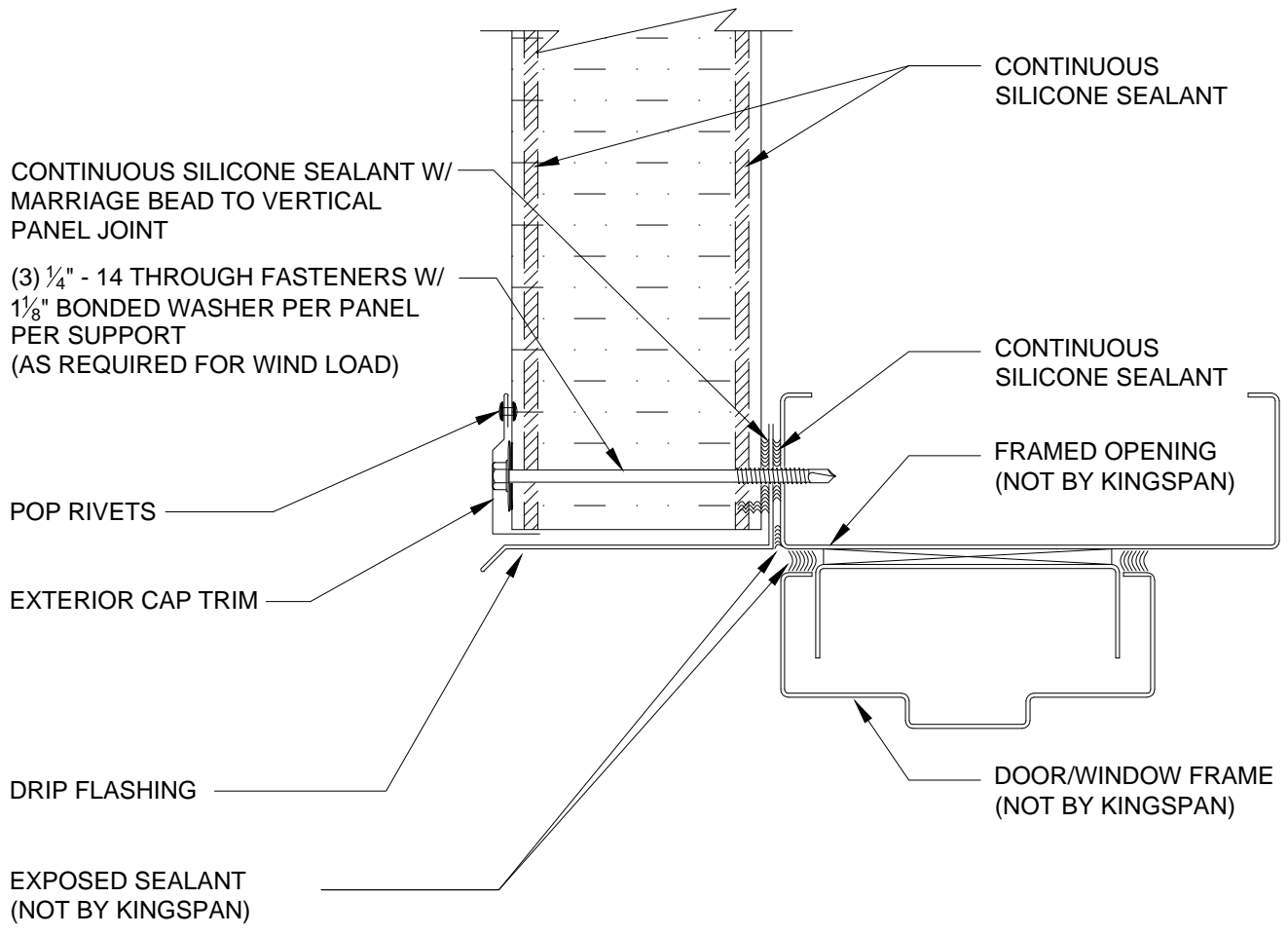
OUTSIDE CORNER DETAIL

DETAIL #:

DATE: 10/09/15


Kingspan
Insulated Panels

www.kingspanpanels.us
www.kingspanpanels.ca



LARR #26018

F.O. HEAD
DETAIL

DETAIL #:
DATE: 10/09/15

Kingspan
 Insulated Panels
www.kingspanpanels.us
www.kingspanpanels.ca

FRAMED OPENING
(NOT BY KINGSPAN)

DOOR/WINDOW FRAME
(NOT BY KINGSPAN)

EXPOSED SEALANT
(NOT BY KINGSPAN)

1/4" - 14 "LOW PROFILE"
FASTENER (AS REQUIRED)

(3) 1/4" - 14 THROUGH FASTENERS W/
1/8" BONDED WASHER PER PANEL
PER SUPPORT
(AS REQUIRED FOR WIND LOAD)

CONTINUOUS SILICONE SEALANT

CONTINUOUS SILICONE SEALANT

POP RIVETS

CAP TRIM

LARR #26018

F.O. JAMB DETAIL

DETAIL #:

DATE: 10/09/15


Kingspan
Insulated Panels

www.kingspanpanels.us
www.kingspanpanels.ca

EXPOSED SEALANT
(NOT BY KINGSPAN)

CONTINUOUS SILICONE SEALANT W/
MARRIAGE BEAD TO VERTICAL
PANEL JOINT

EXTERIOR CAP TRIM

POP RIVETS

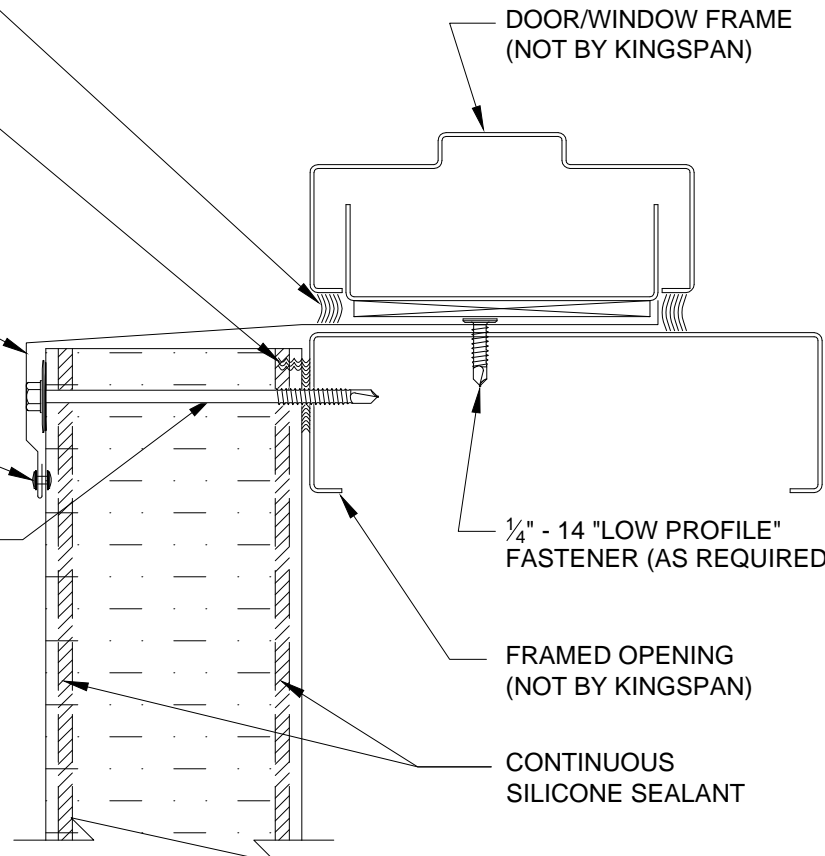
(3) 1/4" - 14 THROUGH FASTENERS W/
1/8" BONDED WASHER PER PANEL
PER SUPPORT
(AS REQUIRED FOR WIND LOAD)

DOOR/WINDOW FRAME
(NOT BY KINGSPAN)

1/4" - 14 "LOW PROFILE"
FASTENER (AS REQUIRED)

FRAMED OPENING
(NOT BY KINGSPAN)

CONTINUOUS
SILICONE SEALANT



LARR #26018

F.O. SILL DETAIL

DETAIL #:

DATE: 10/09/15

Kingspan
Insulated Panels
www.kingspanpanels.us
www.kingspanpanels.ca