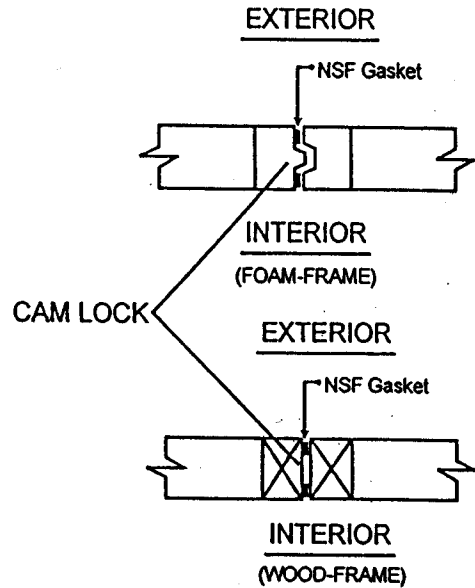
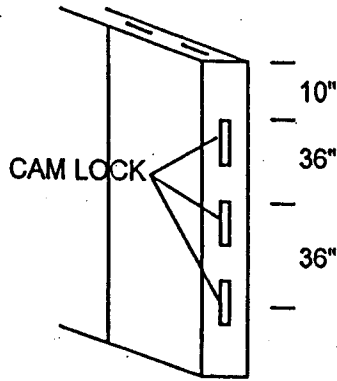
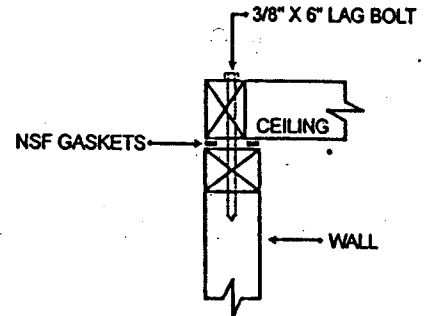


ATTACHMENT 1 ATTACHMENT-PANEL CONNECTION

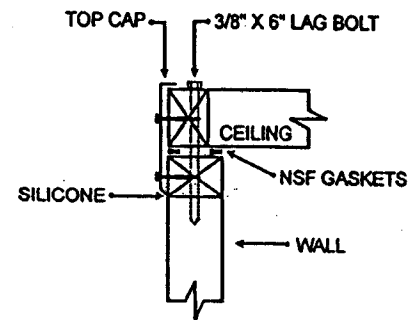
**PANEL TO PANEL CONNECTION
@ 10", 46", 82", 118" ETC.**



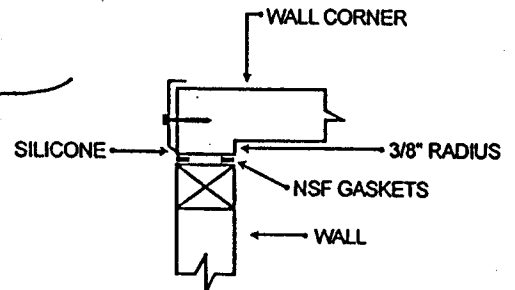
**Ceiling To Wall. 3/8" X 6" Lag Bolt
@ 24" O.C. Or Cam Lock System.**



**Install 6" Top Cap To Cover
Ceiling And Wall Joint.**



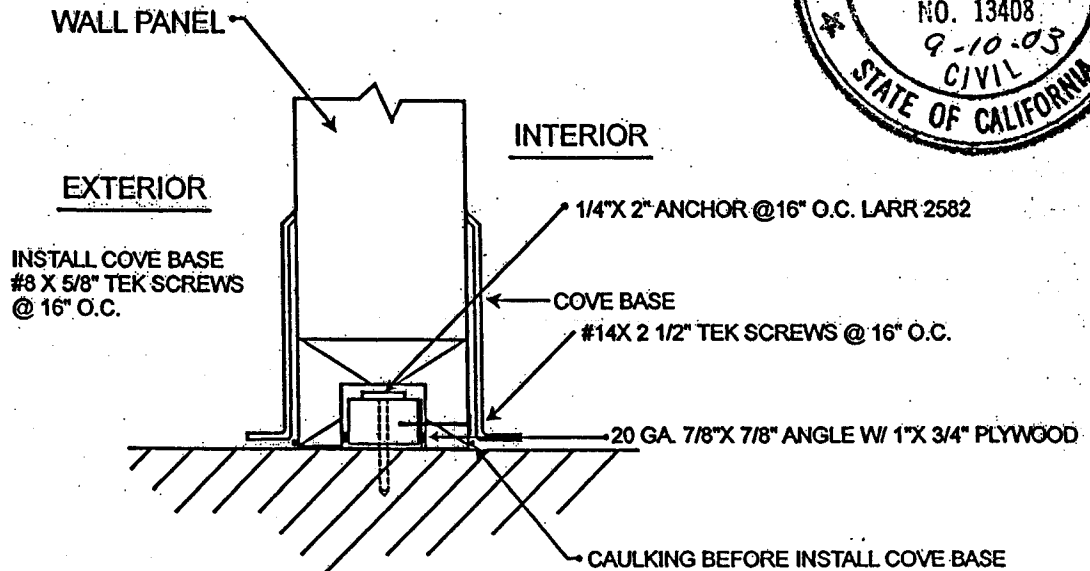
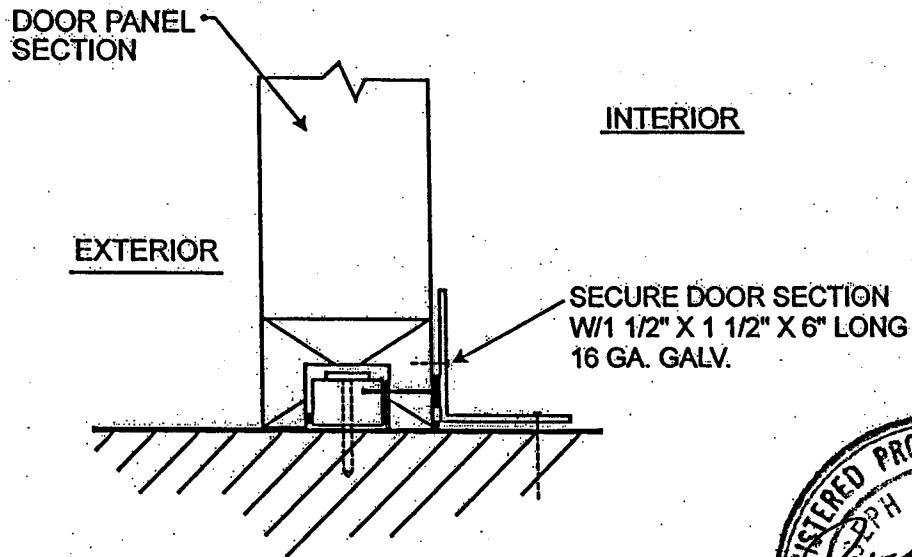
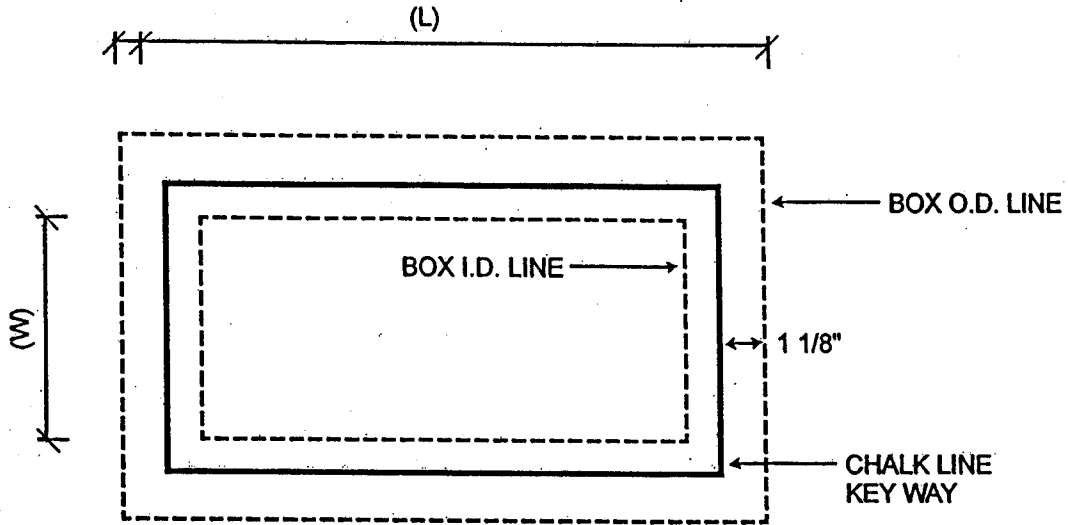
Wall Closure 6" To Cover Air Space.



Caulking Is Applied At Every Joint



ATTACHMENT-WALL TO FLOOR CONNECTIONS



RR 25532 (2)