

**ANDERSEN / HANNIBAL RACK CONNECTION CAPACITIES**

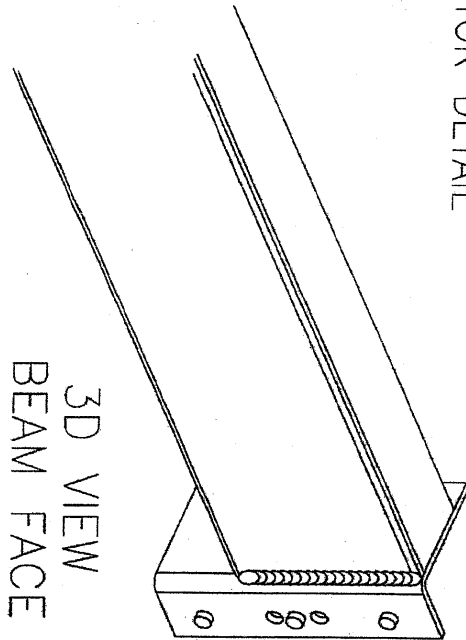
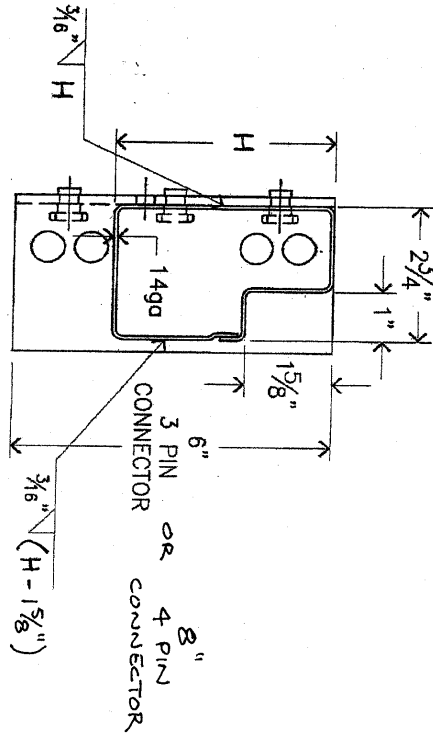
CONNECTION TYPE	COLUMN TYPE	BEAM TYPE	CONN. MOMENT CAPACITY
3-Rivet	150 - 3 X 1-5/8 X 14ga	RB2 - 3-11/16"h x 14ga	6,500 in lb
3-Rivet	150 - 3 X 1-5/8 X 14ga	RB3 - 4-3/16"h x 14ga	6,500 in lb
4-Rivet	150 - 3 X 1-5/8 X 14ga	406 - 4"H X 16ga	9,000 in lb
4-Rivet	150 - 3 X 1-5/8 X 14ga	RB2 - 3-11/16"h x 14ga	9,100 in lb
4-Rivet	150 - 3 X 1-5/8 X 14ga	RB3 - 4-3/16"h x 14ga	9,900 in lb
3-Rivet	300 - 3 x 3 x 14ga	406 - 4"H X 16ga	7,900 in lb
3-Rivet	300 - 3 x 3 x 14ga	RB2 - 3-11/16"h x 14ga	7,300 in lb
3-Rivet	300 - 3 x 3 x 14ga	RB3 - 4-3/16"h x 14ga	7,600 in lb
4-Rivet	300 - 3 x 3 x 14ga	406 - 4"H X 16ga	9,700 in lb
4-Rivet	300 - 3 x 3 x 14ga	RB2 - 3-11/16"h x 14ga	9,100 in lb

Capacities shown can be used for similar connections with components of equivalent or greater section properties and/or steel strengths. Engineer to justify equivalence.

*RR-25534*

*-1-*

BEAM TO CONNECTOR DETAIL  
"A"-WELD



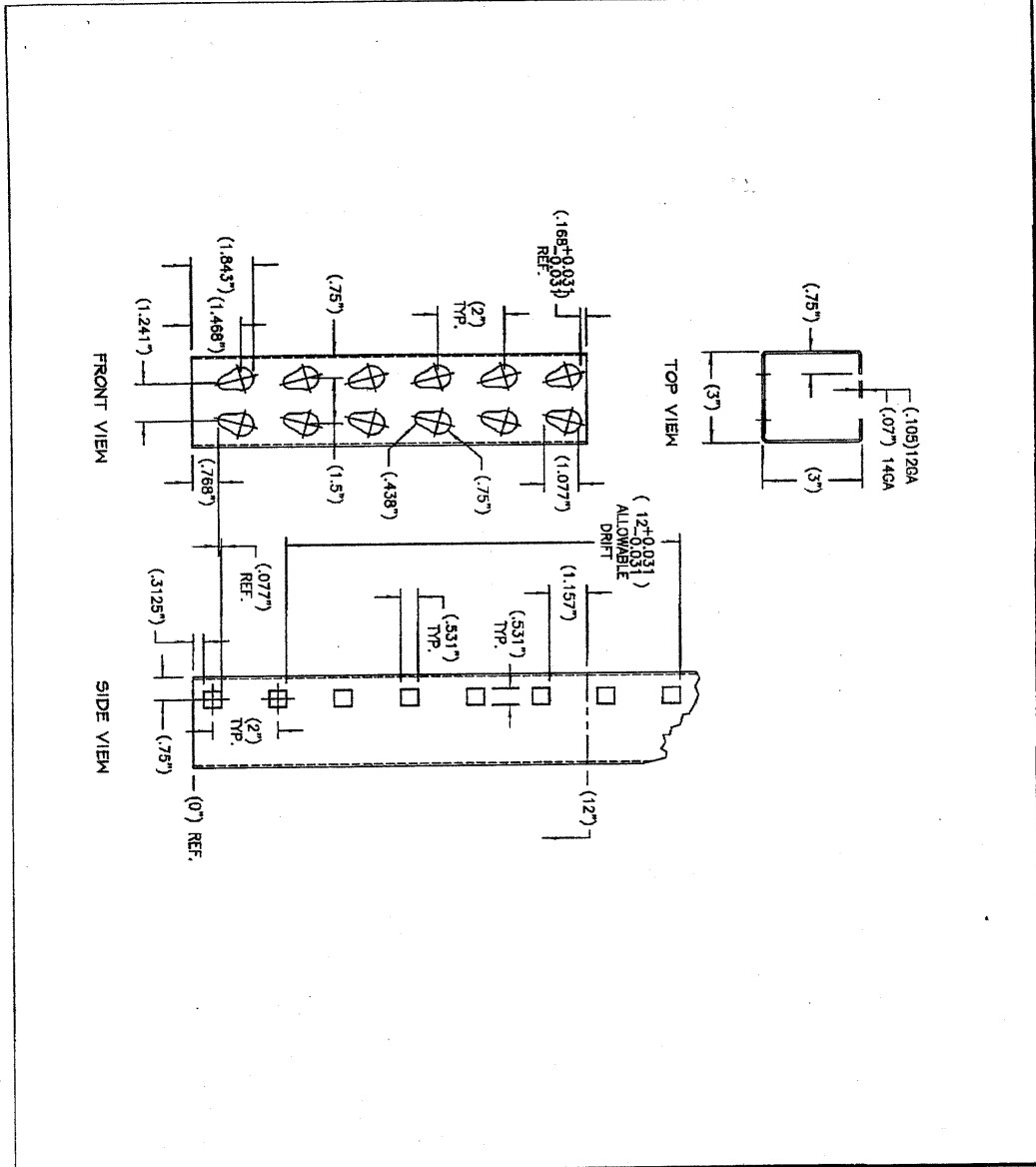
3D VIEW  
BEAM FACE

Pg. 3.1

<b>Andersen Rack</b> SUBSIDIARY OF HANDBAL INDUSTRIES INC. 100 E. CENTER WAY STOKATO, CALIFORNIA 95207 FAX: (916)866-8666 (916) 741-3500-4000 THE ANDERSEN RACK SYSTEM IS A REGISTERED TRADEMARK OF ANDERSEN RACK SYSTEMS, INC. © 2003 ANDERSEN RACK SYSTEMS, INC.	Date: 10/7/96 8:09am Drawn By: L. MILLER Scale: N.T.S.	Part Description: STANDARD BEAM TO CONNECTOR WELD "A" WELD: STANDARD "A"-WELD	Name: 3 PIN CONNECTOR STANDARD WELD-A
	Part Number: 12094666098		Last Updated By: yfn on 11/20/03 4:43pm

RR 25534  
①

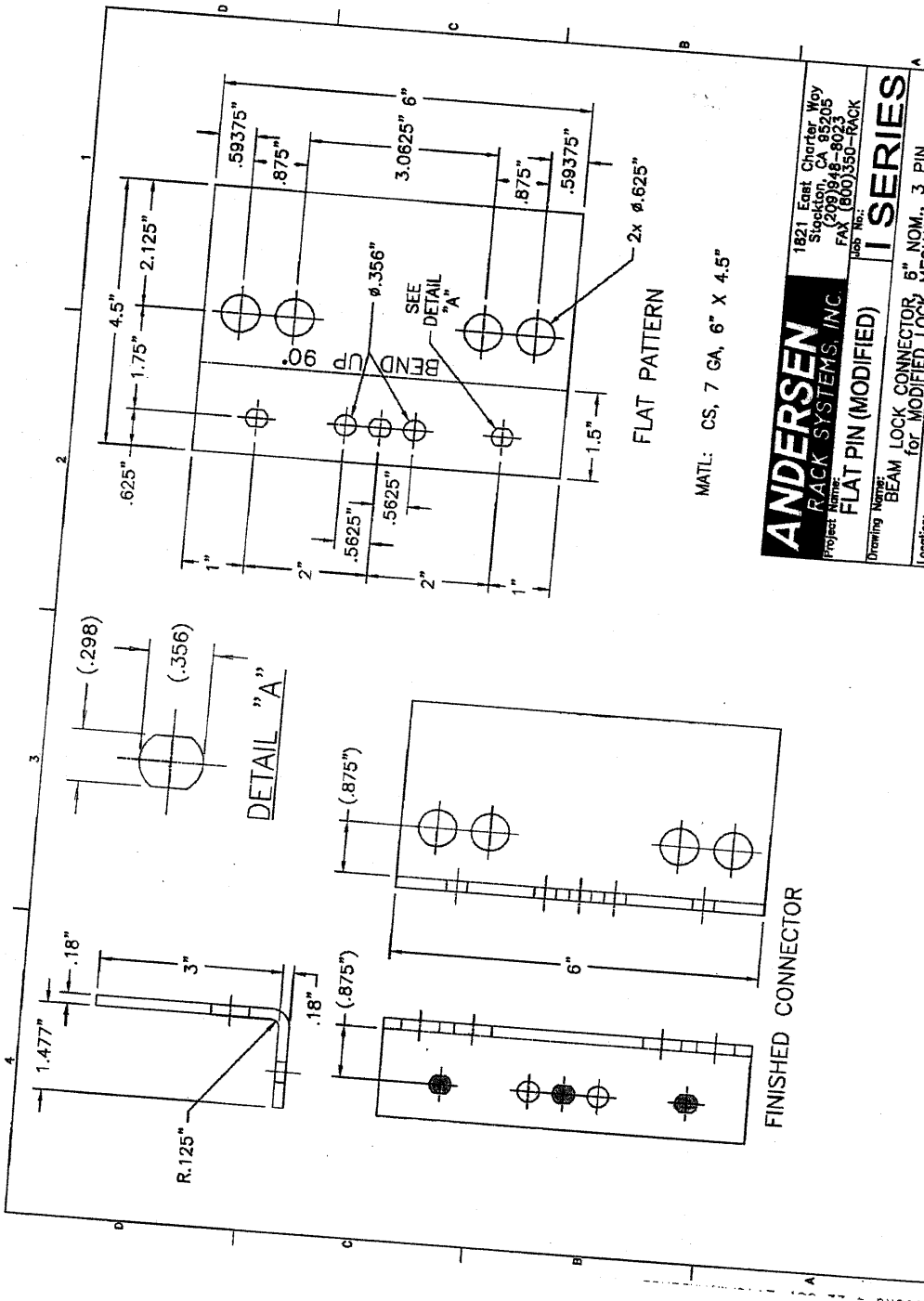




<b>Andersen Rack</b> Subsidiary of HANNIBAL INDUSTRIES INC. <small>The depicted content proprietary information and may not be copied, retransmitted or used for advertising other than that which is approved in writing by Andersen Rack Systems, a subsidiary of Hannibal Industries Inc.</small>	I-SERIES PUNCH DETAIL Date: 2/24/01 3:09pm Drawn By: L. MILLER Scale: N.T.S.	FRAME, ROLLFORMED, I-SERIES TYPICAL 2" PUNCHING DETAIL	Drawing No.: I-300 Last Updated By: L. Yoon on 4/22/03 2:46pm
	<small>Part: 3 DESIGN: I-SERIES FRAME-300 Rev: 3-02.dwg</small>		

Pg. 5

RR 25534  
 (5)



MATL: CS, 7 GA, 6" X 4.5"

**ANDERSEN RACK SYSTEMS, INC.**  
 1821 East Charter Way  
 Stockton, CA 95205  
 (209) 948-8023  
 FAX (800) 350-RACK

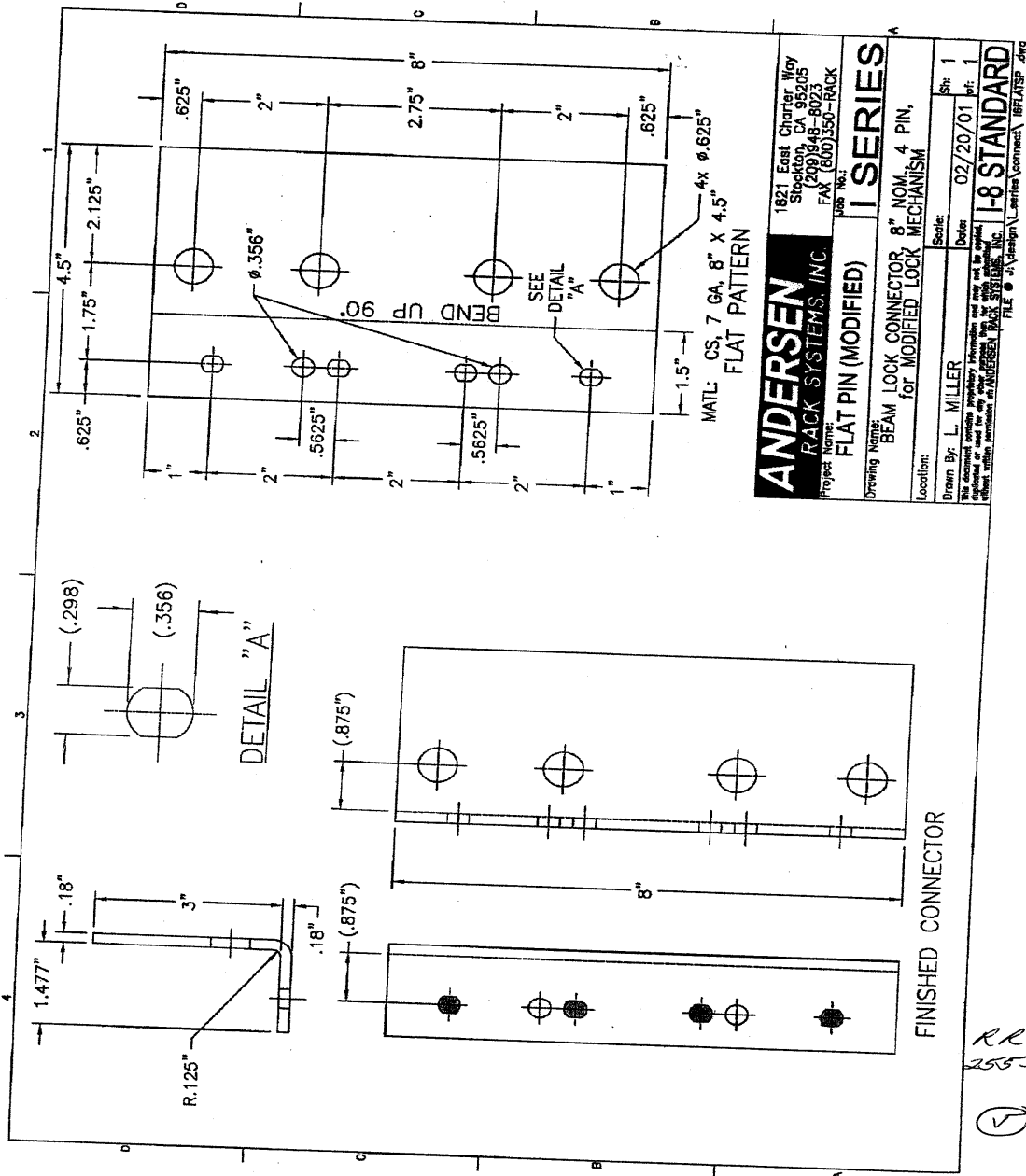
Project Name: **FLAT PIN (MODIFIED)**  
 Job No.: **1 SERIES**  
 Drawing Name: **BEAM LOCK CONNECTOR 5" NOM., 3 PIN, for MODIFIED LOCK MECHANISM**

Location: \_\_\_\_\_  
 Drawn By: **L. MILLER**  
 Scale: \_\_\_\_\_  
 Date: **02/20/01**  
 Sh: **1**  
 of: **1**

This drawing is for preliminary information and shall not be used for construction without written permission of ANDERSEN RACK SYSTEMS, INC.  
 FILE @ J:\Design\Series\connect\18FLATSP.dwg

**I-6 STANDARD**

*RL 2/24*  
 (2)



**ANDERSEN RACK SYSTEMS, INC.**  
 1821 East Charter Way  
 Stockton, CA 95205  
 (209) 948-8023  
 FAX (800) 350-RACK

**PROJECT NAME:** FLAT PIN (MODIFIED) **I SERIES**

**DRAWING NAME:** BEAM LOCK CONNECTOR 8" NOM. 4 PIN, for MODIFIED LOCK MECHANISM

**LOCATION:**

**Scale:** 1/16" = 1"

**Drawn By:** L. MILLER **Date:** 02/20/01

**Checked By:** **Date:**

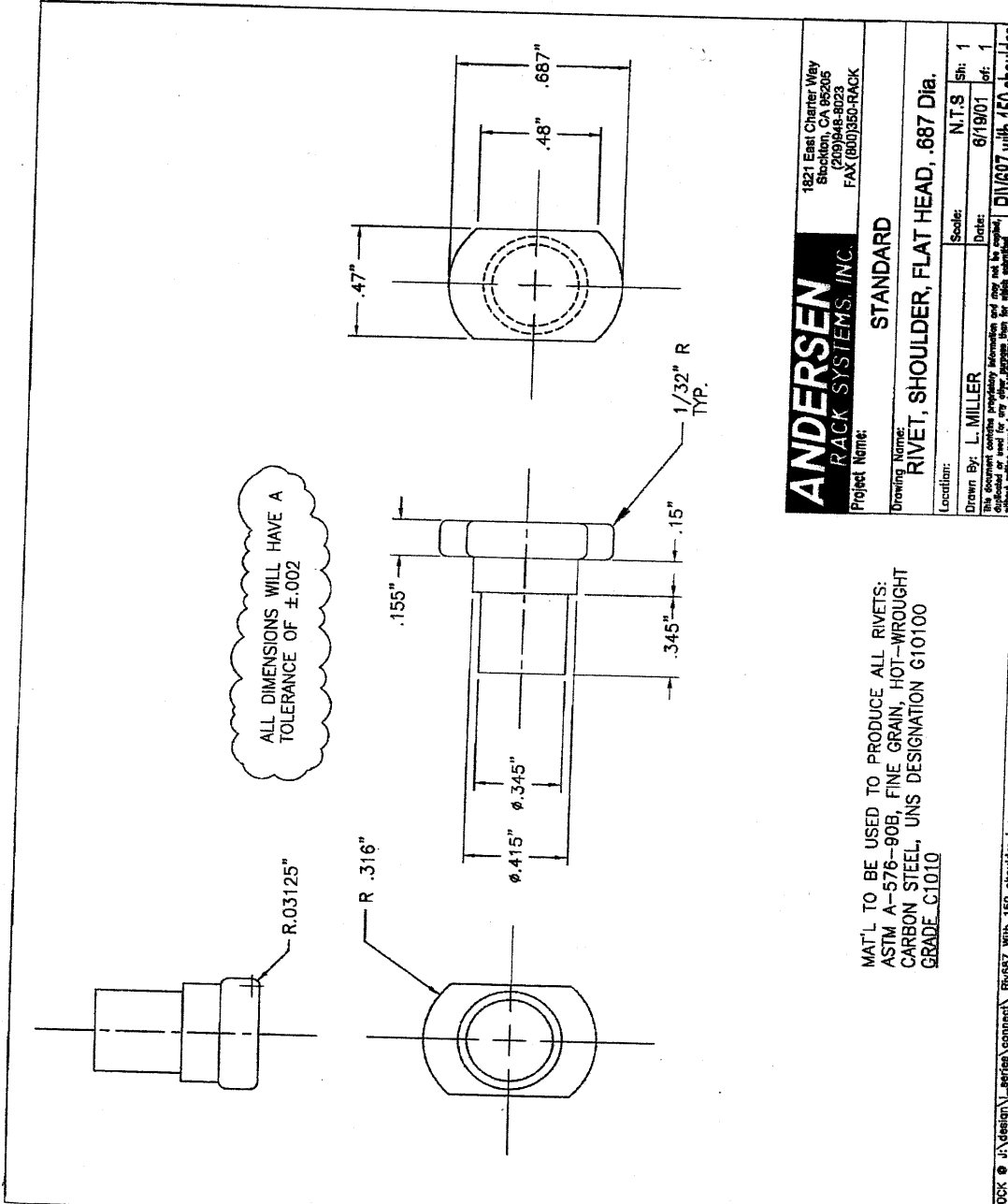
**FILE:** U:\Design\I-series\connect\RPFLATSP.dwg

**I-8 STANDARD**

pg. 7

RR  
25534





ALL DIMENSIONS WILL HAVE A TOLERANCE OF ±.002

**ANDERSEN RACK SYSTEMS, INC.**  
 1821 East Charter Way  
 Stockton, CA 95205  
 (209)948-8023  
 FAX (800)850-RACK

Project Name: STANDARD

Drawing Name: RIVET, SHOULDER, FLAT HEAD, .687 Dia.

Location: Scale: N.T.S Sh: 1  
 Drawn By: L. MILLER Date: 6/19/01 of: 1

This document contains proprietary information and may not be copied, reproduced, or disseminated in any form without written permission of ANDERSEN RACK SYSTEMS, INC.  
 FILE @ J:\design\series\connect\ Riv687 With 150 shoulder.dwg

MAT'L TO BE USED TO PRODUCE ALL RIVETS:  
 ASTM A-576-90B, FINE GRAIN, HOT-WROUGHT  
 CARBON STEEL, UNS DESIGNATION G10100  
 GRADE C1010

WELOCK @ j:\design\series\connect\ Riv687 With 150 shoulder.dwg  
 RR  
 25534  
 6

Qty Req'd:	Unit	Series	Part Number	Color	NP	Order Number	Item
1	PR	I	4060096				TYP BEAM
Second Part Number		Part Description		Date Issued		Date to Ship	
16		I Series 1Pc Beam, 4"x96" Lg, 16ga w/1-5/8" Step		4/22/2003		96" Long	
Special Instructions							
<b>1 Series</b>							
<b>1-PC BEAM</b>							
Upper dimension is space between frames. Lower dimension is actual cut length.							
<p style="text-align: center;"><b>FABRICATED UNIT (OUTSIDE VIEW)</b></p> <p style="text-align: center;">1 3/4" 1" HOLD 1 5/8" HOLD 2 3/8" 2 3/4" 4"</p>							
<p style="text-align: center;"><b>SECTION VIEW</b></p> <p style="text-align: center;">Flat Dims: .080 X 13 Length = 95.5625</p>							
<p style="text-align: center;">* I Series 6" Long Connectors ⑥ CONNECTOR SERIES</p>							

Material Data					
Part Ref.	Thickness	Width/Inches	Length/Inches	Yield (K)	Pounds Required
A	.060	13.0	95.5625	55	43.29
B	.180	6.0	4.5	55	5.65

Operation Data			
Operation Number	Part and Operation Description	Unit Req'd.	Job Reqtans
1	① Size Formed Beam stock to: Length = 95.9/16"	2	2
2	Assemble beams with connectors: I Series 6" Long	4	4
3	Wash & Paint: NP		

Pg. 9

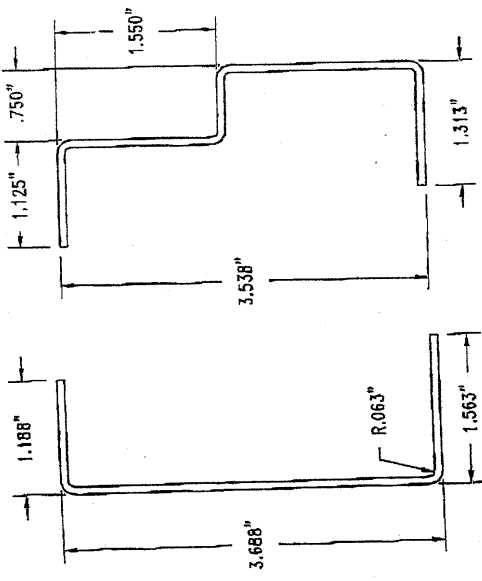
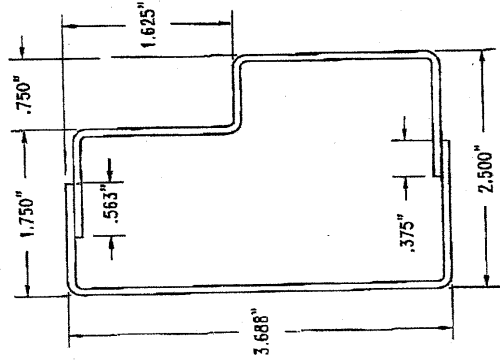
2:57:54 PM

F:\routing\3\NEWBEAM.ko  
Script Name: 1-PC BEAM

PR  
2/2/04  
①

Resend 4-22-03; K:\BPM\ANDERSEN\PARTS\...

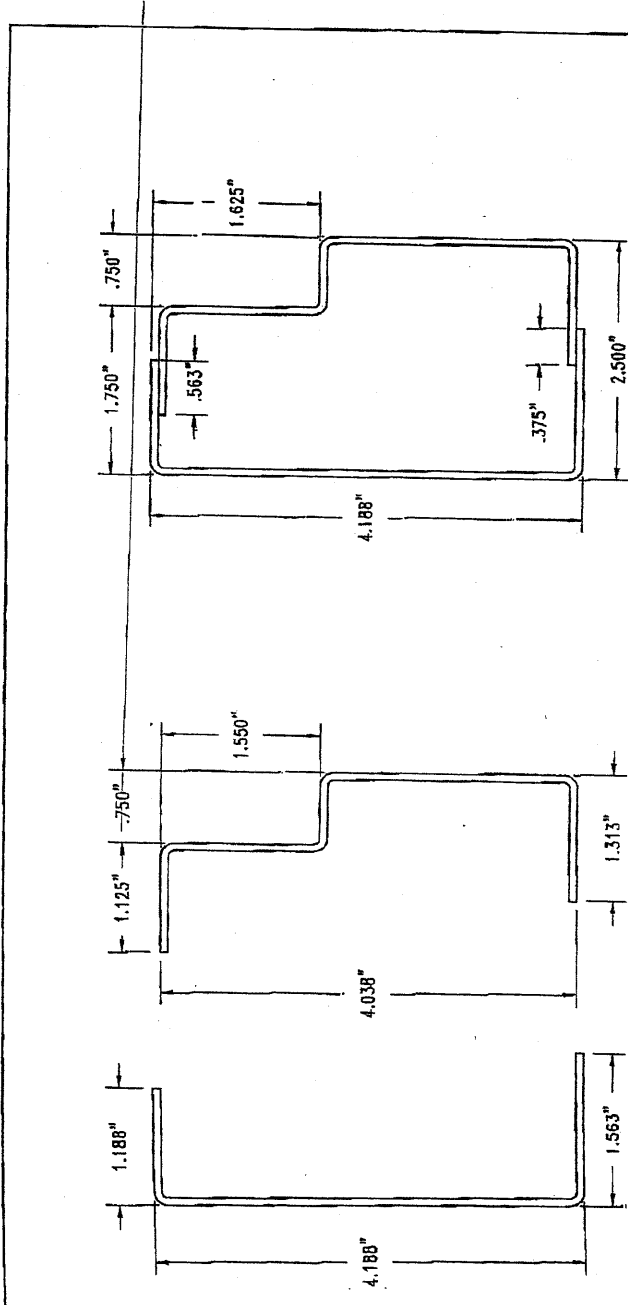




14 GA. (.071 min.)

<p>THIS DRAWING CONTAINS                  PROPRIETARY MATERIAL AND/OR                  INFORMATION WHICH IS OWNED BY                  THE DRAWING ORIGINATOR. THE                  REPRODUCTION OF THIS DRAWING                  WITHOUT THE WRITTEN PERMISSION                  OF THE DRAWING ORIGINATOR IS                  STRICTLY PROHIBITED. IN THE                  EVENT OF A DISPUTE, THE                  DRAWING ORIGINATOR SHALL BE                  CONSIDERED THE PARTY IN THE                  BEST POSITION TO PROTECT ITS                  INTERESTS.</p>		<p>DATE                  12-01-99</p>
<p>DESIGNER                  H.M.H.</p>	<p>DATE                  12-01-99</p>	<p>REVISION                  RB2</p>
<p>BY                  GREG D.</p>	<p>DATE                  12-01-99</p>	<p>SCALE                  1 OF X</p>
<p>BY                  RB2</p>	<p>DATE                  12-01-99</p>	<p>SCALE                  NTS</p>

R2534  
 (P)



14 GA. (.071 min.)

<p>THE EXERCISES CONTAINED HEREIN ARE UNCLASSIFIED EXCEPT WHERE SHOWN OTHERWISE. THIS DOCUMENT IS IN THE PUBLIC DOMAIN AND IS NOT TO BE REPRODUCED OR TRANSMITTED IN ANY FORM OR BY ANY MEANS, ELECTRONIC OR MECHANICAL, INCLUDING PHOTOCOPYING, RECORDING, OR BY ANY INFORMATION STORAGE AND RETRIEVAL SYSTEM, WITHOUT PERMISSION FROM THE NATIONAL BUREAU OF STANDARDS.</p>		<p>DATE: 12-01-95</p>
<p>DESIGNER: H.M.H.</p>	<p>DATE: 12-01-95</p>	<p>REVISION: RB3</p>
<p>APPROVED: GREG D. [Signature]</p>	<p>DATE: 12-01-95</p>	<p>FIGURE NO: 12-01-95</p>
<p>PROJECT: RB3</p>	<p>SCALE: 1 OF X</p>	<p>NTS</p>

RR 25534  
⑨