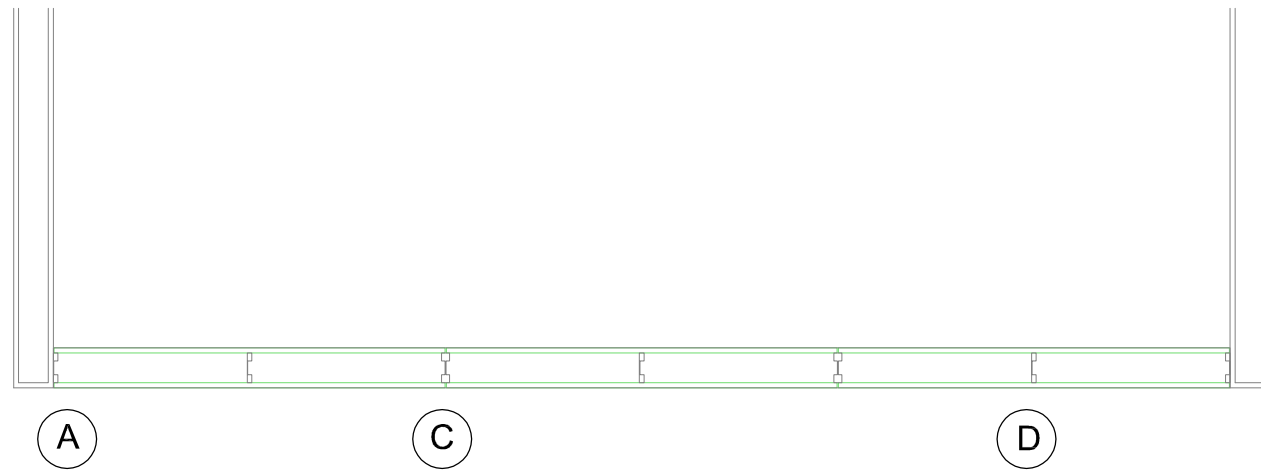
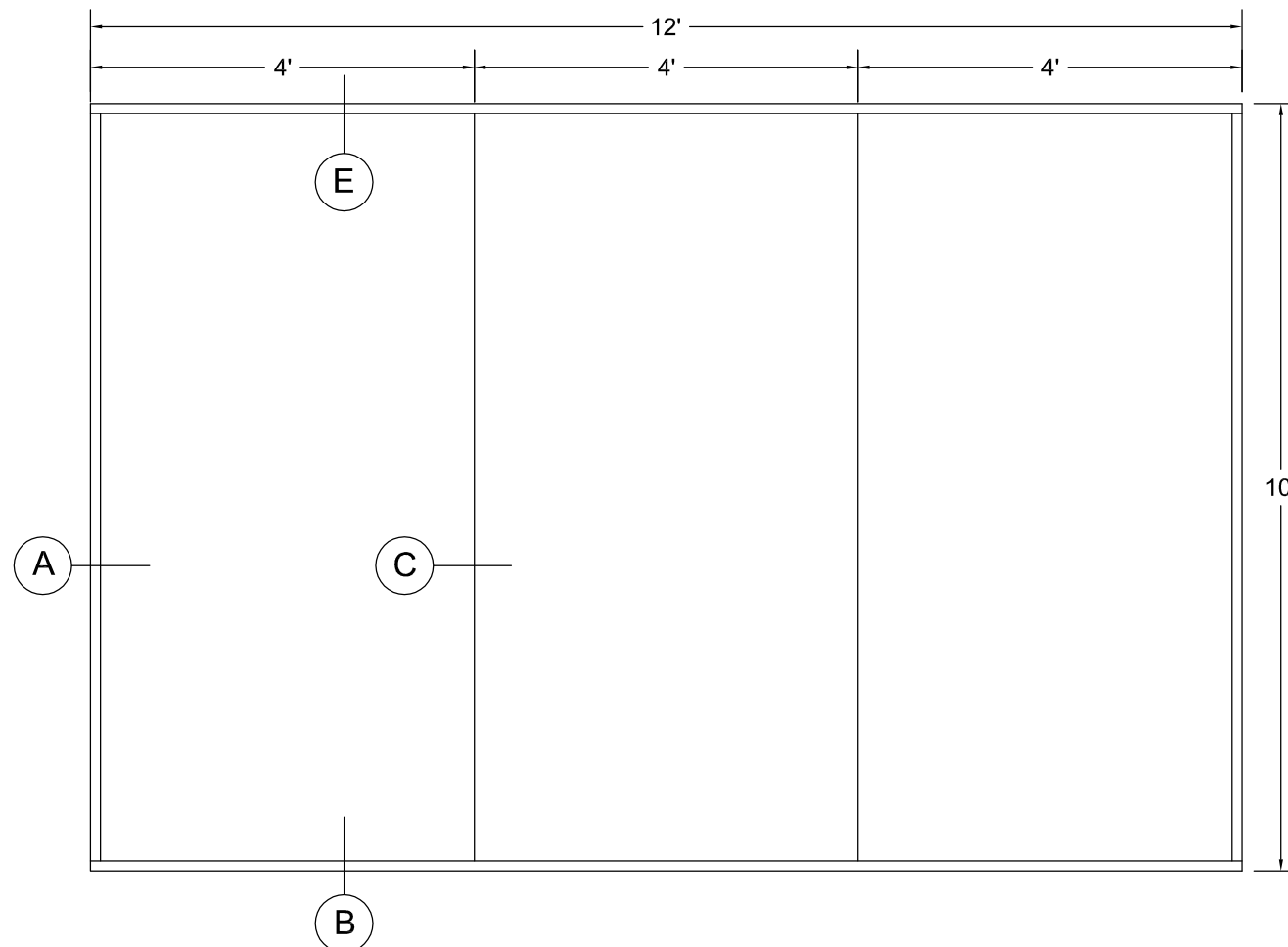


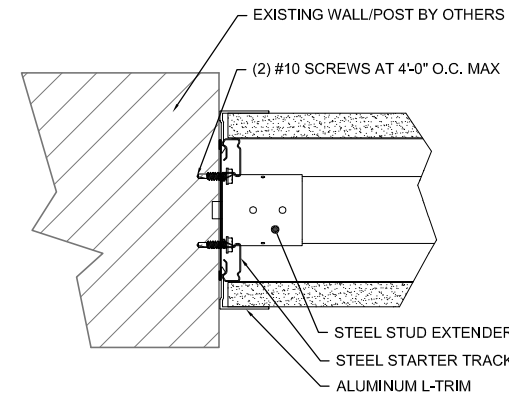
LARR 26140- Page 1 of 4



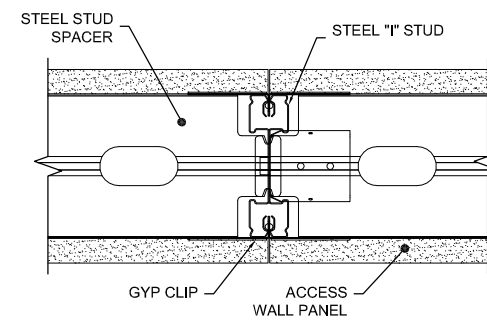
ACCESS SOLID WALL TYPICAL PLAN
VINYL WRAPPED GYPSUM PANELS



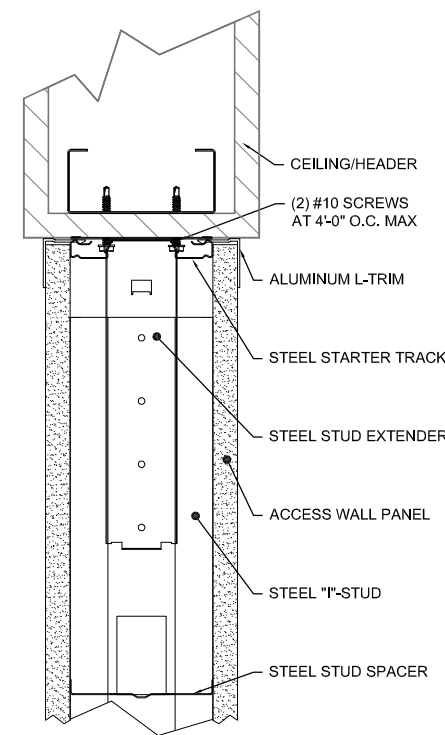
ACCESS SOLID WALL TYPICAL ELEVATION
VINYL WRAPPED GYPSUM PANELS



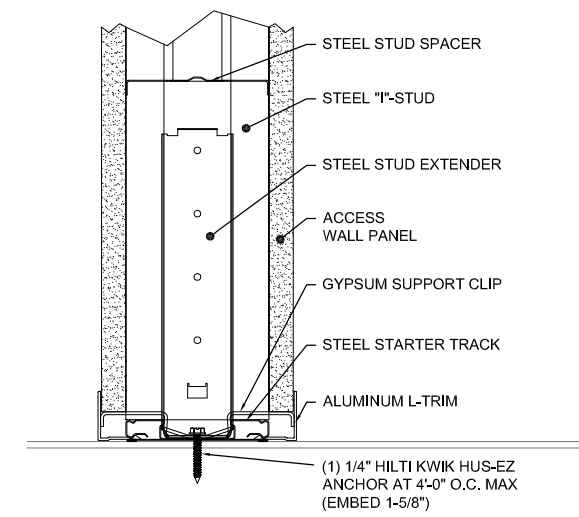
DETAIL A
WALL START



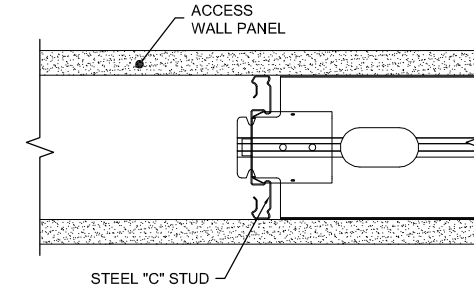
DETAIL C
PANEL ATTACHMENT AT I-STUD



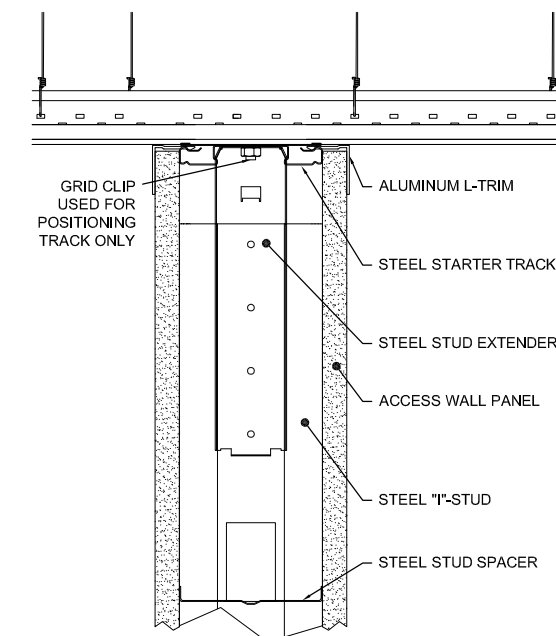
DETAIL E
HEAD AT SOFFIT



DETAIL B
FLOOR ATTACHMENT



DETAIL D
C-STUD SECTION



DETAIL E ALTERNATE
HEAD AT CEILING GRID

©Copyright 2018 The StageRight Corporation

TRANQUIL

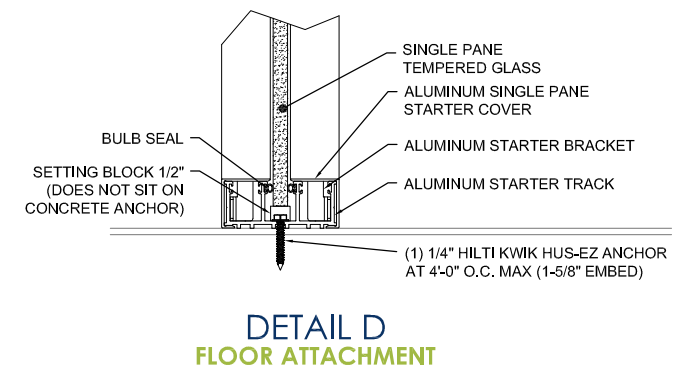
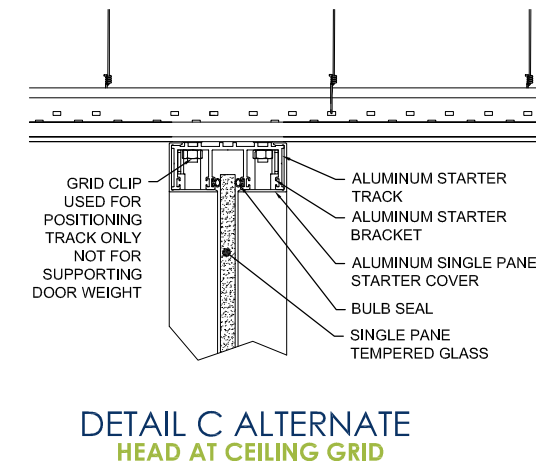
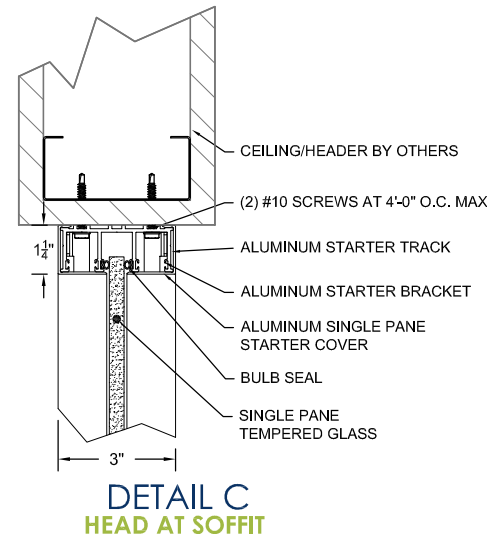
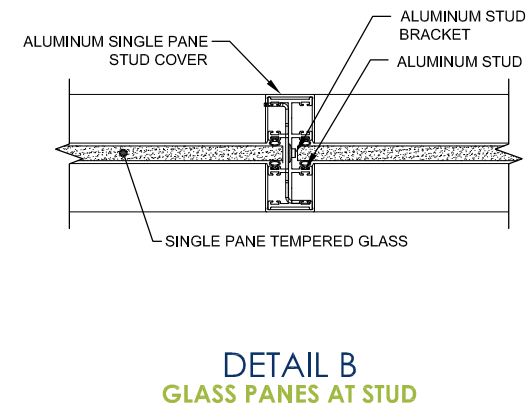
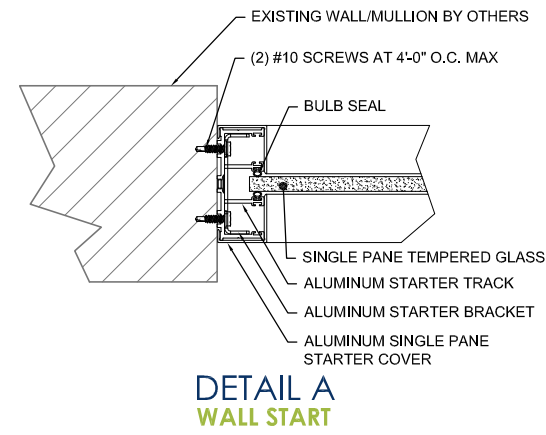
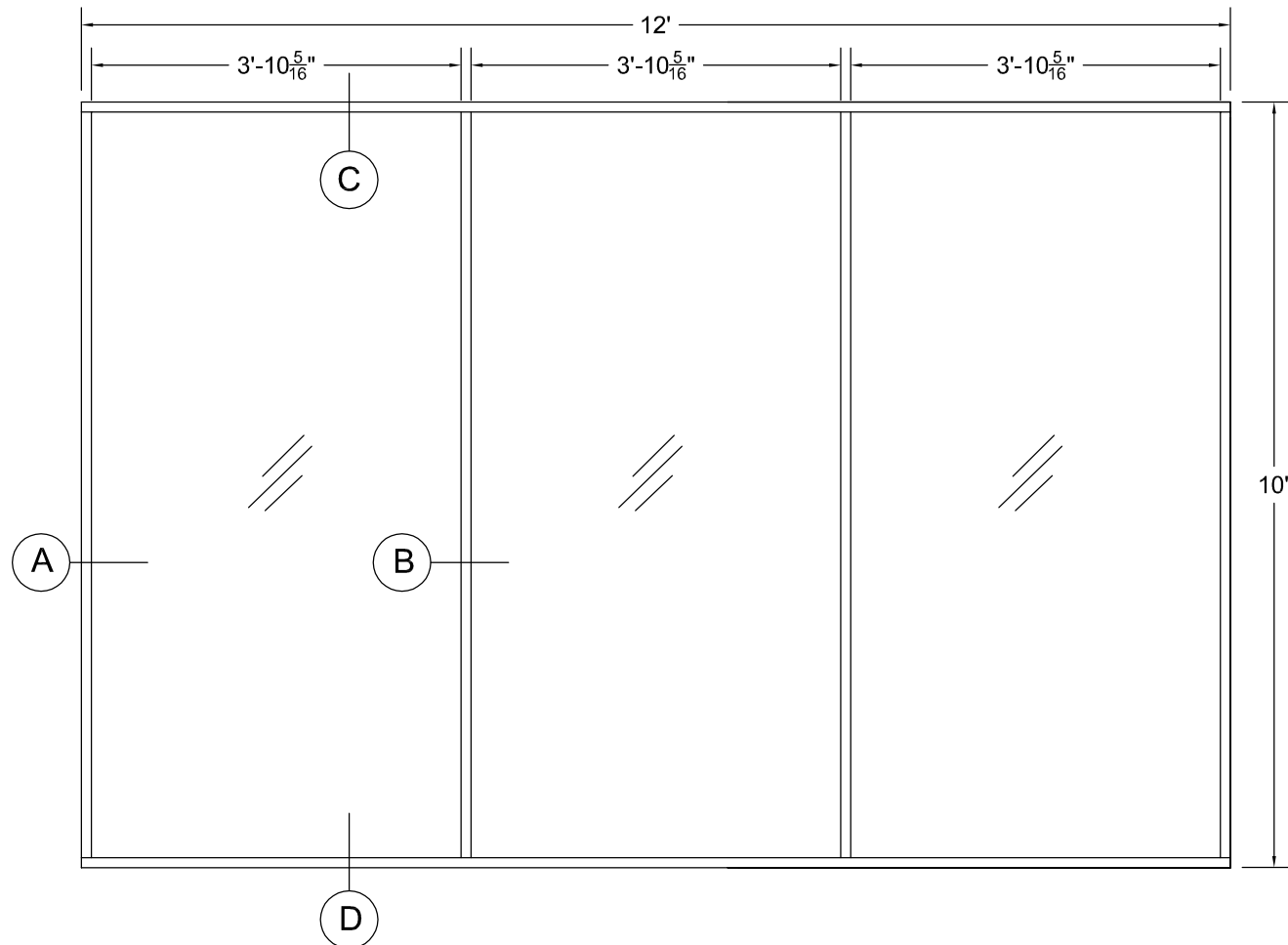
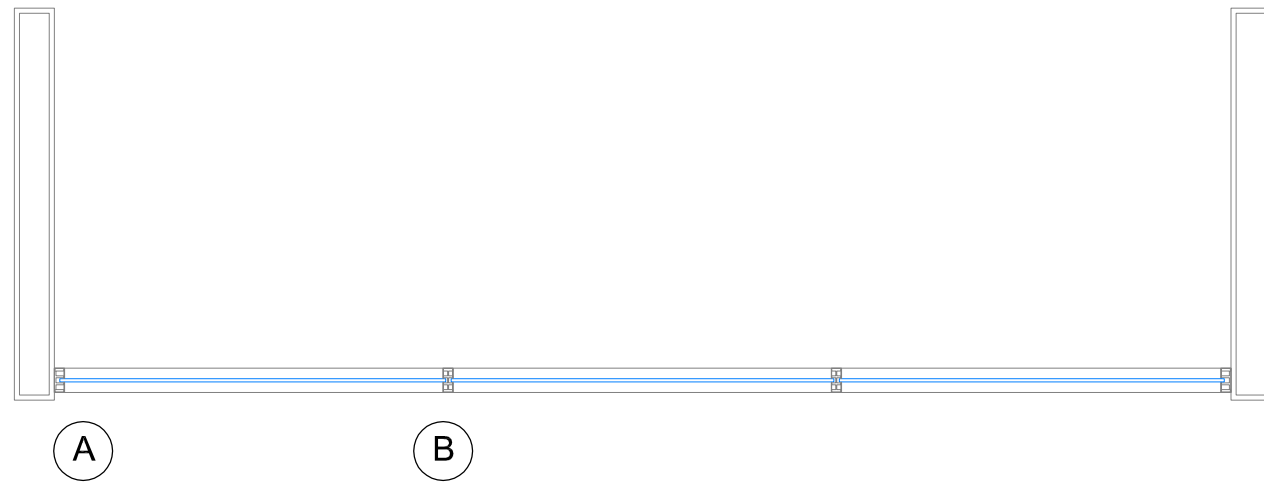
495 PIONEER PARKWAY - CLARE, MI 48617
PHONE: (989) 386-7393 - FAX: (989) 386-3500
WWW.TRANQUILSYSTEMS.COM

ACCESS SOLID WALL DETAILS
VINYL WRAPPED GYPSUM PANELS

DRAWN BY: KL
DATE: 03/07/16
SCALE: NTS

TS-D101

LARR 26140 - Page 2 of 4



©Copyright 2018 The StageRight Corporation

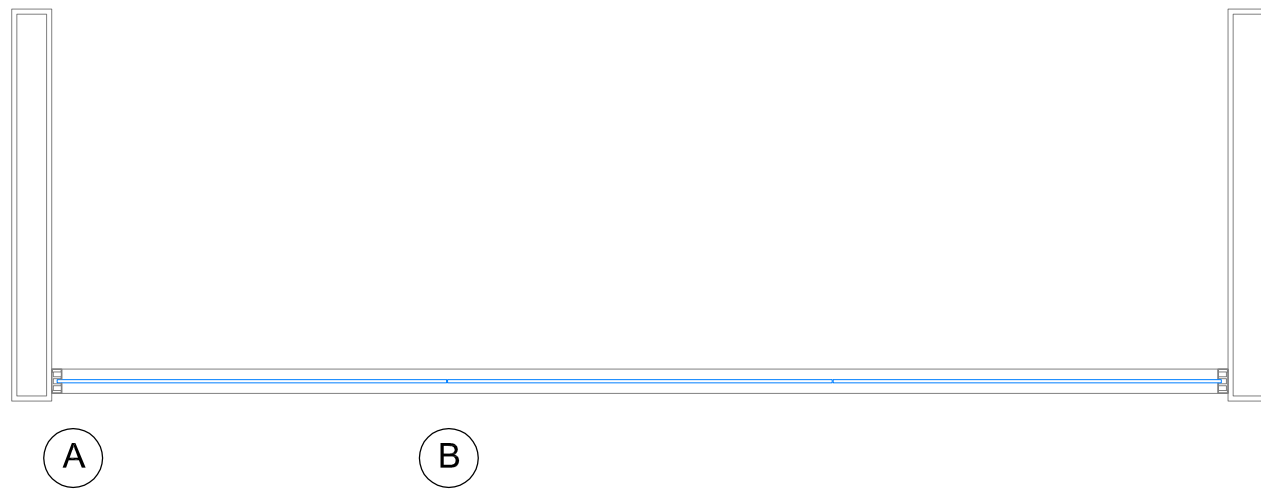
TRANQUIL

495 PIONEER PARKWAY · CLARE, MI 48617
PHONE: (989) 386-7393 · FAX: (989) 386-3500
WWW.TRANQUILSYSTEMS.COM

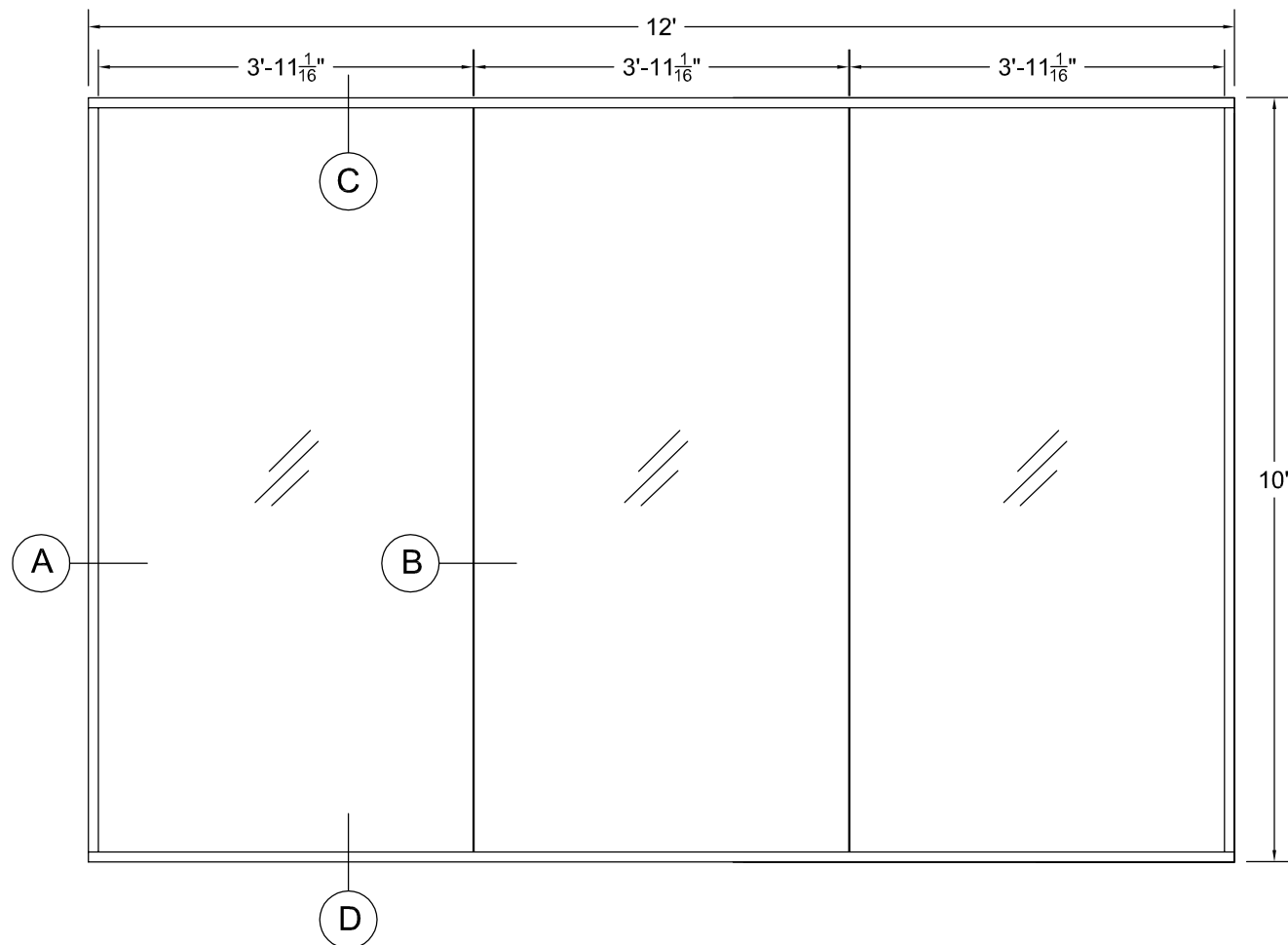
ADAPT FRAMED GLASS WALL DETAILS
3/8" SINGLE PANE TEMPERED GLASS

DRAWN BY: KC
DATE: 02/06/18
SCALE: NTS

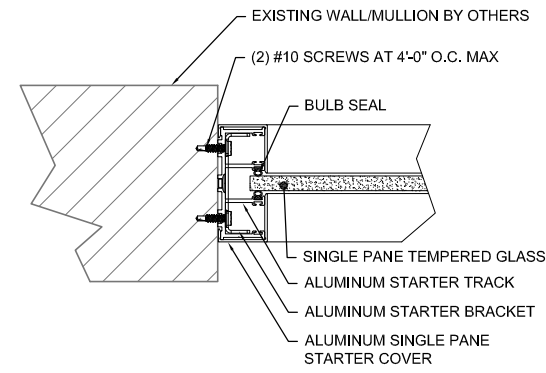
LARR 26140 - Page 3 of 4



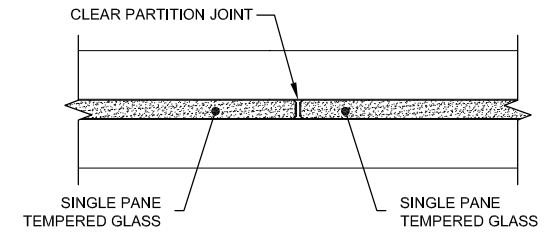
ADAPT FRAMELESS GLASS WALL TYPICAL PLAN
1/2" TEMPERED GLASS



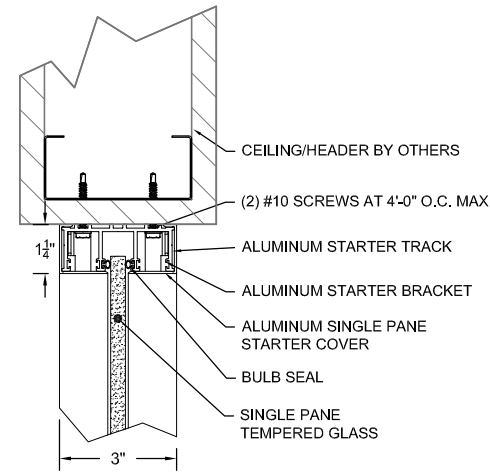
ADAPT FRAMELESS GLASS WALL TYPICAL ELEVATION
1/2" TEMPERED GLASS



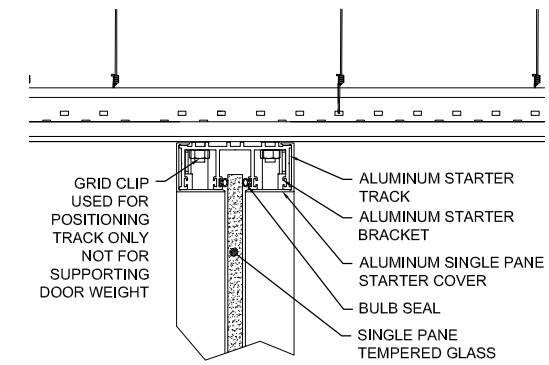
DETAIL A
WALL START



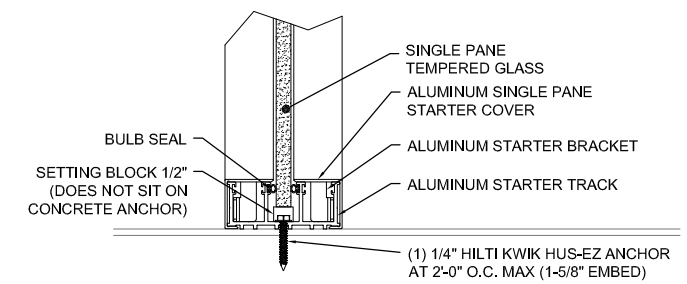
DETAIL B
180° GLASS PANEL JOINT



DETAIL C
HEAD AT SOFFIT

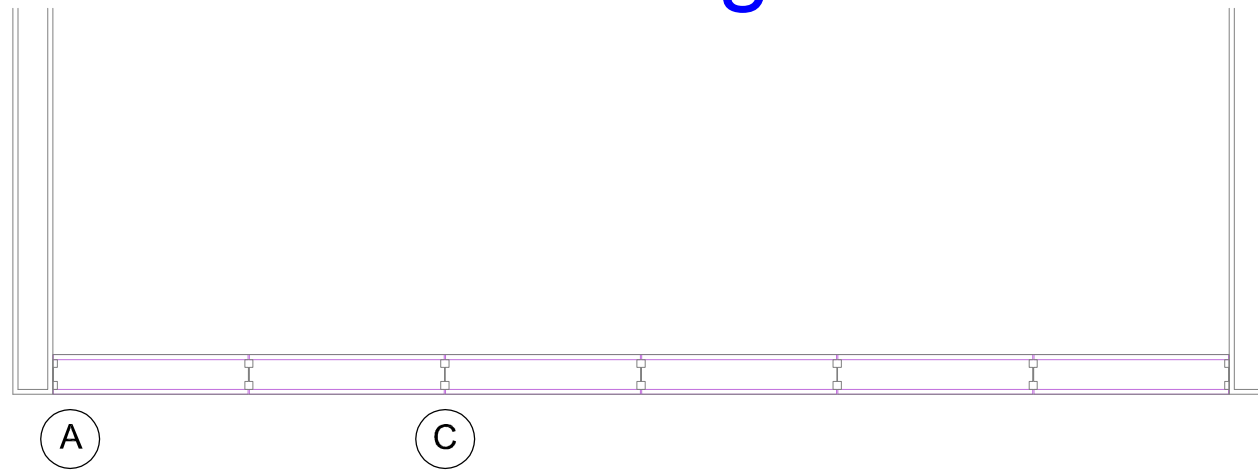


DETAIL C ALTERNATE
HEAD AT CEILING GRID

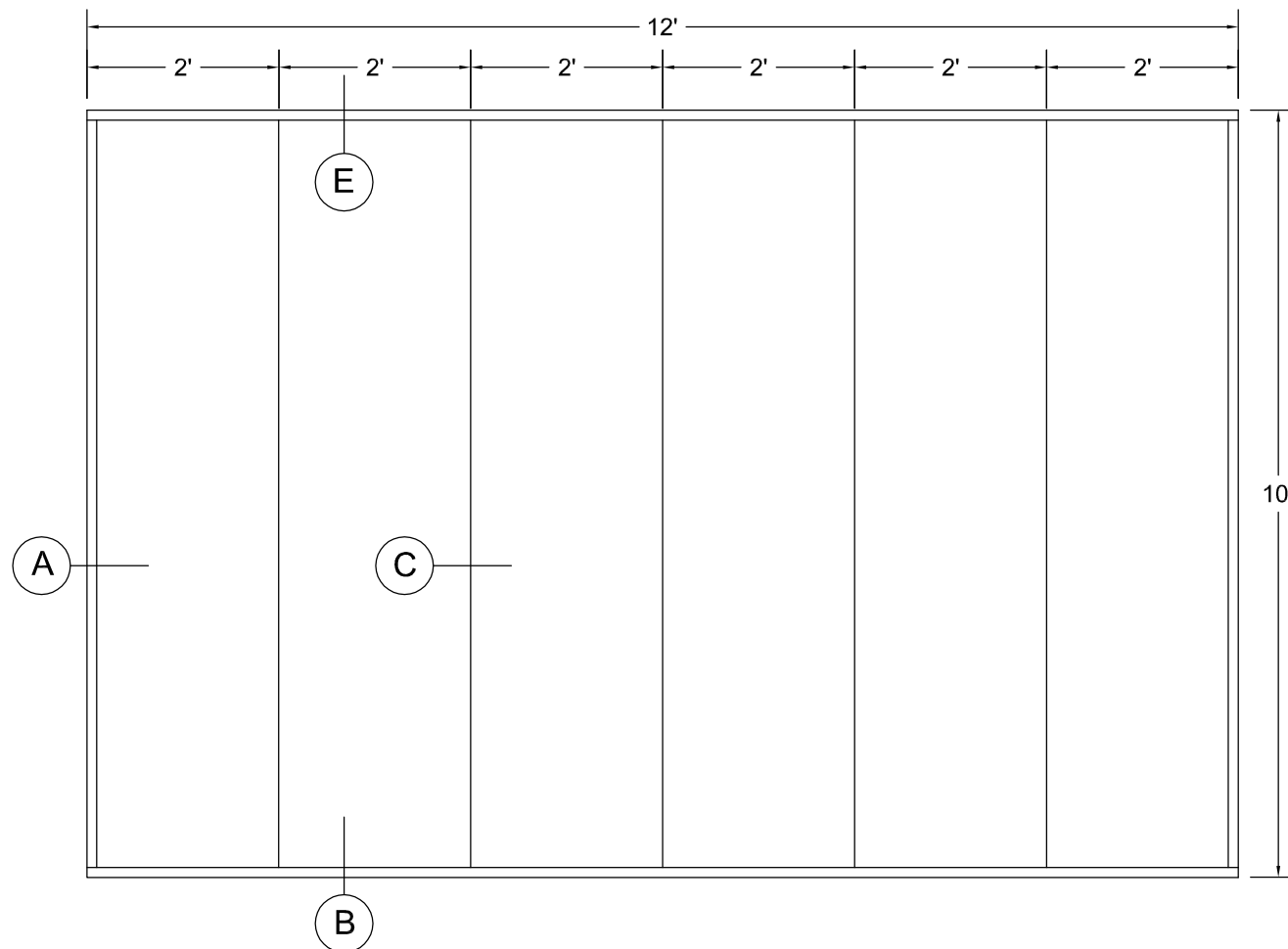


DETAIL D
FLOOR ATTACHMENT

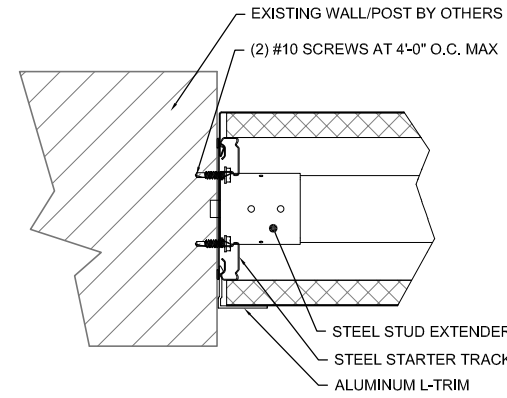
LARR 26140- Page 4 of 4



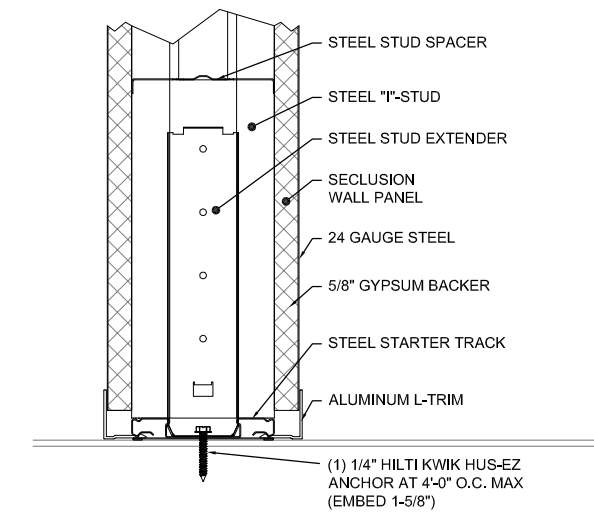
SECLUSION SOLID WALL TYPICAL PLAN
VINYL WRAPPED STEEL PANELS



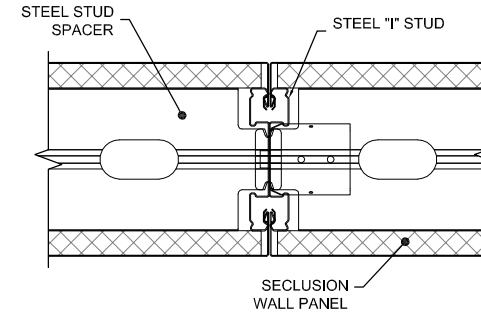
SECLUSION SOLID WALL TYPICAL ELEVATION
VINYL WRAPPED STEEL PANELS



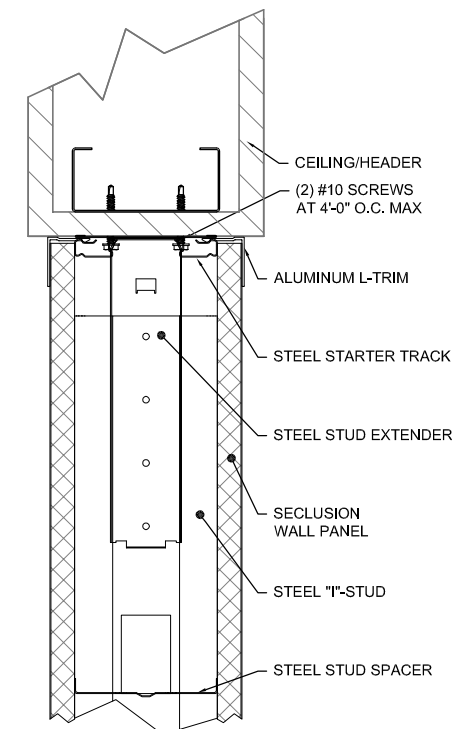
DETAIL A
WALL START



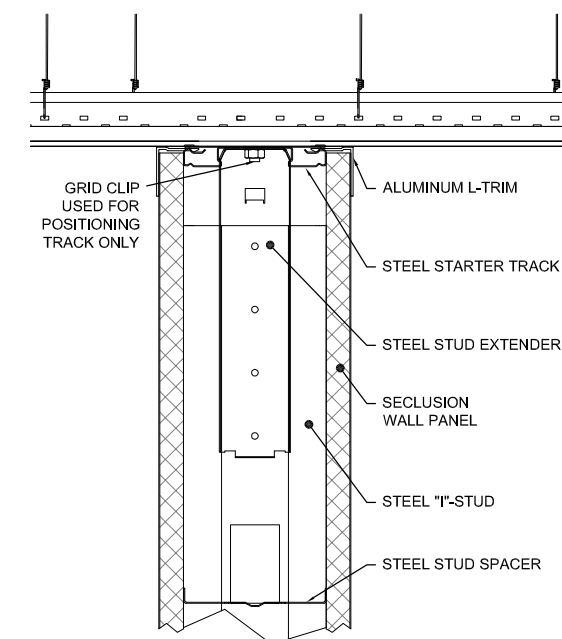
DETAIL B
FLOOR ATTACHMENT



DETAIL C
PANEL ATTACHMENT AT I-STUD



DETAIL E
HEAD AT SOFFIT



DETAIL E ALTERNATE
HEAD AT CEILING GRID

©Copyright 2018 The StageRight Corporation

TRANQUIL

495 PIONEER PARKWAY - CLARE, MI 48617
PHONE: (989) 386-7393 - FAX: (989) 386-3500
WWW.TRANQUILSYSTEMS.COM

SECLUSION SOLID WALL DETAILS
VINYL WRAPPED STEEL PANELS

DRAWN BY: KL
DATE: 03/07/16
SCALE: NTS

TS-D101