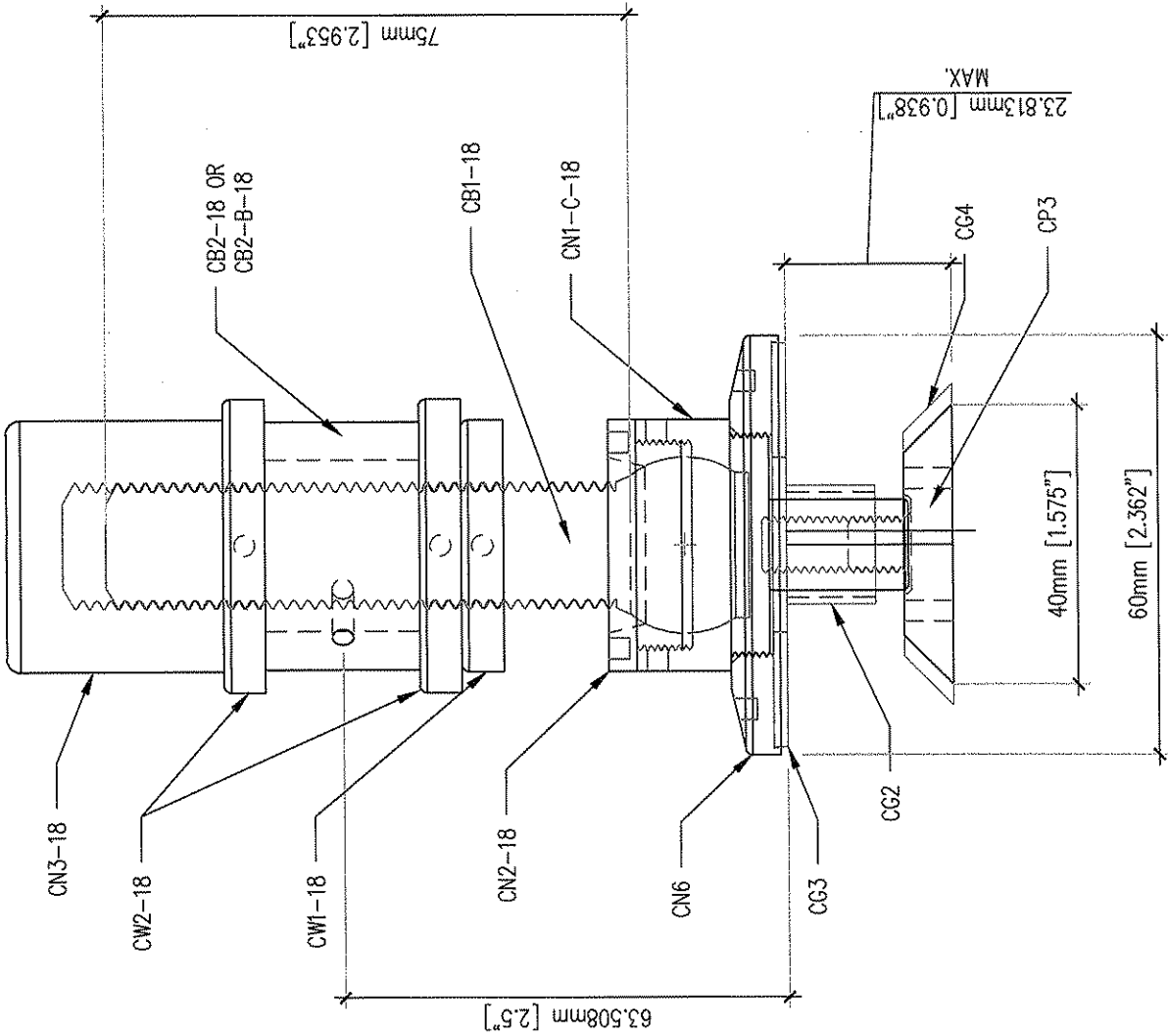


RR 25969 ATTACHMENT 1



VP40-18-CS - FOR 15/16" GLASS

SENTECH ARCHITECTURAL SYSTEMS		Date	Cover: X	Desc: VP40_CS	Checked By	Date
No.	By	Chk.	Rev.	Contract No.	Series	Drawing No.
-	-	-	-	-	-	VP-40-18-9375
Drawings Issued To		Date	Scale			
SHOP		-	1:1			

NOTES:
 1. TOLERANCE = ±1/32" U.N.O.
 2. () = REFERENCE DIMENSIONS

SHIPPING NOTE	
-	SHOP ASSEMBLY
X	SHIP LOOSE

Cont Qty	Total Qty	PC Mark	Item 7 Material Description	Inventory No	Unit Wt	Cont Wt
X		VP40-18-501	15/16" GLASS COUNTERSUNK ASSEMBLY			
		CB1-18	316 SS CONNECTOR BOLT			
		CB2-18	316 SS BUSHING			
		CG2	BLACK OIL OIL GASKET			
		CG3	BLACK OIL OIL GASKET			
		CN1-C-18	316 SS ALUMINUM COUNTERSUNK GASKET			
		CN2-18	316 SS SCREW NUT			
		CN3-18	316 SS SCREW NUT			
		CN6	316 SS DRESS NUT			
		CW1-18	316 SS BACK PLATE			
		CW2-18	316 SS WASHER			
		CP3	316 SS WASHER			
			316 SS COUNTERSUNK CAP			